



Aluminco

Skyline

SL55

CW35

SL27⁰⁰

W85^{HS}

W85ST

Sky:
Line

+

View:
Frame

→

Freedom

Greater Than Freedom

Things are constantly shifting in the construction industry. In this new era, aluminum is present on many different types of buildings, from skyscrapers in the metropolitan areas to secluded, luxury sheds. Sustainability is a top reason due to aluminum's high curb appeal and low carbon footprint. At the same time, modern aluminum alloys can easily support the weight of heavy glass spans, thus maximizing the building's capability for using natural sunlight. Innovative door and window designs enhance thermal efficiency. But also give a unique look, offering an uninterrupted perspective

from inside out, immediately connecting the interior with its surroundings. Accommodating a range of designs, aluminum lets the view speak, whether urban or in the heart of unspoilt nature.



The Inspiration



We are an integral part of nature. This is where we belong and where we turn to find our true meaning of existence. Gazing at the sky, mind and soul travel unhindered. This is how we discover our limitless possibilities. When nature is the canvas, we design frames to give freedom.

The Realization



A simple line marks a piece of paper. It goes through various transformations.
New lines are added to set each step that leads to the next one.
Like the horizon line, a line on a piece of paper gives the character: clean, strong, minimal.



We design change



Creativity is dreaming in action



Limits are to be exceeded



This is human nature



SL55 →

P.22

CW35 →

P.42

SL2700 →

P.62

W85HS →

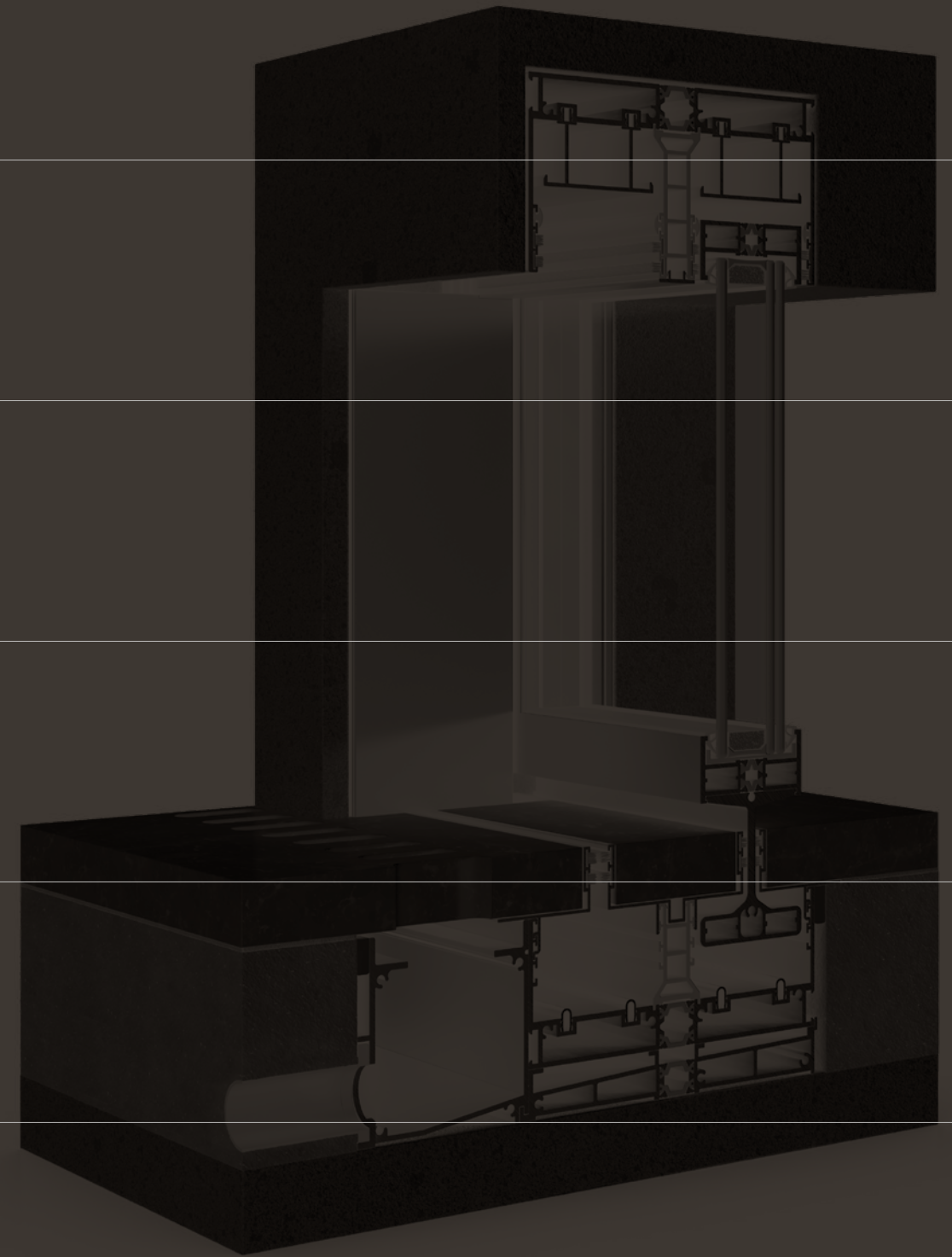
P.82

W85ST →

P.102

01 →

SL55



ID

The SL55 Infinity is a top-notch proposal for structures in absolute minimal design. All design elements strive to convey the message of simplicity, allowing for light, form, material, space, and nature to provide the very best of living conditions. With SL55 Infinity, carefully applied minimalist principles increase the degree of freedom enjoyed by developers and architects to make attractive and effective buildings so that people can live in greater comfort, more style, and infinite views. Distinguished by its three "hall of fame" features, the narrow face widths, the integrated frames, and the flush fitted tracks, the system impresses for the

maximum transparency, light penetration, and uncompromising comfort. High-quality selected components and systems' design merge in an intimate symbiosis to produce a fine system that ensures maximum thermal and sound insulation potential at any location. Every detail of the SL55 Infinity has been designed with a single goal: to make a statement by means of performance. For the demanding homeowner or architect who wants the latest in modern design and ultimate performance, SKY-LINE SL55 Infinity is the perfect solution.

The Infinity

- Minimal design for modern architecture
- Impressive transparency and maximum light penetration
- Exceptional thermal and acoustic insulation
- Wide open spans maintain the sleek minimal look
- Expanded range of tracks fulfil countless architectural desires
- Possibility for floor-to-ceiling and wall-to-wall frames
- Designed handle and multi-point locking system
- Roller system that allows smooth sliding and operation
- Ideally suited for luxury residential and commercial environments



The freedom of less

In our design mantra, the SKYLINE SL55 is the “freedom of less” approach to minimalistic design with large impact. With extremely slender profile face width of only 25 mm in the interlock section, an outer/vent frame totally concealed in the attachment to building structure and the flush fitted track solutions, the system meets the highest requirements in terms of infinite views, ease of use, maximum comfort, and security.



Connect to nature from indoors

Connecting to nature can restore our sense of wellbeing. The SL55 Infinity is designed to make the best of it, whilst offering an atmospheric blend of style and top quality with optimum comfort features. Floor-to-ceiling and wall-to-wall frames with recessed top and bottom tracks create spaces filled with natural light, whereas maximum transparency is accomplished. As a result, living areas open up to connect the indoors to the natural surroundings. A wide range of floor track versions are offered to significantly improve user comfort. All track versions of the system –hidden sash, visible sash, flat track, and hidden track– are based on multi-functional profiles, which allow for optimal use of a complete track drainage system.



Seamless transitions between spaces

In the perfect living environment, comfort and aesthetics are a challenging task. The hidden track version, which is fully recessed into the floor, achieves a high user comfort level by effectively dissolving the boundaries between inside and outside. The creation of an easy-access connection is emphasized by using the same flooring for inside and outside, providing smooth and elegant transitions to outdoors. There is a sense of refined, modern luxury.



More performance More comfort

When it comes to performance, we strive to deliver the world's best results. For SL55 Infinity, selected test specimen had to undergo extremely tough testing. Repeatedly. And even more. Until we have a final rigorous independent testing, and flawless performance. The system performs extremely well, delivering optimum thermal and acoustic comfort while standing the test of time and harsh weather conditions, in almost every location on the planet.



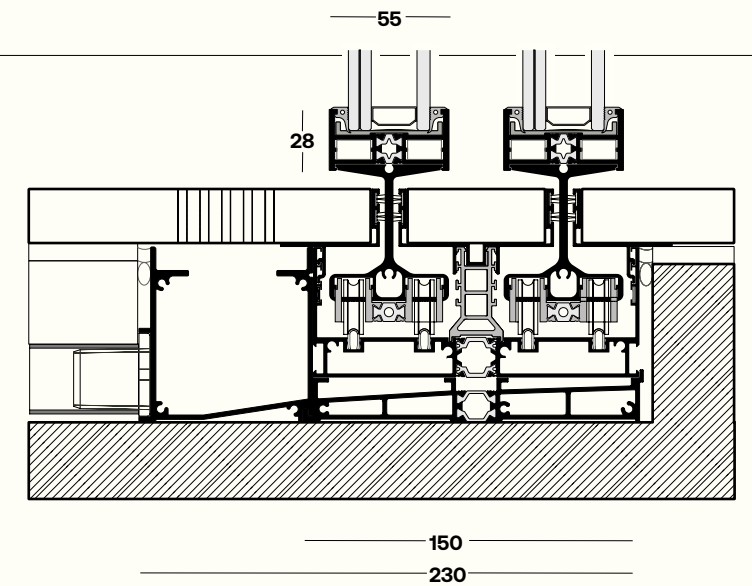
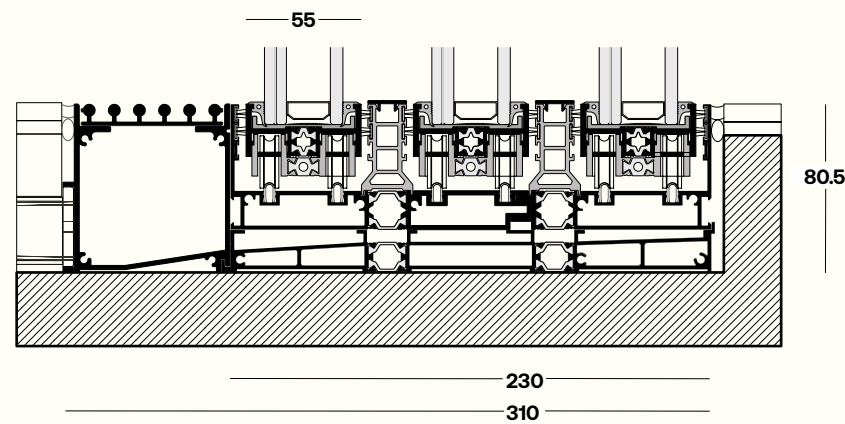
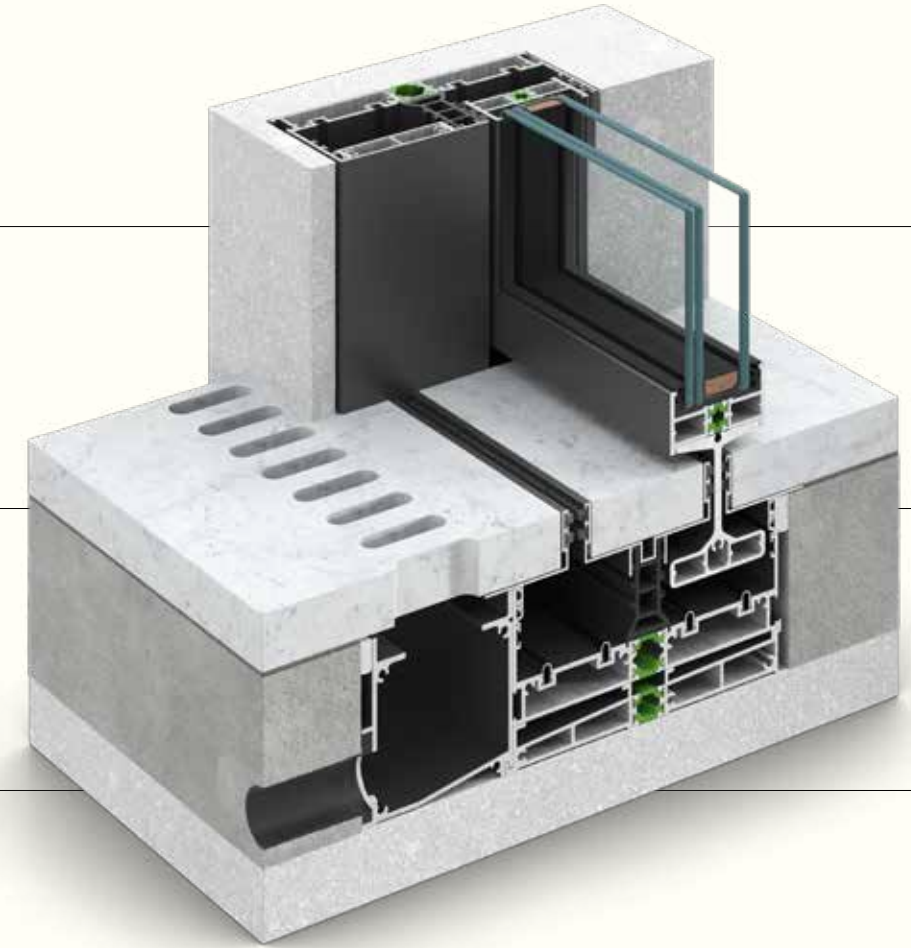
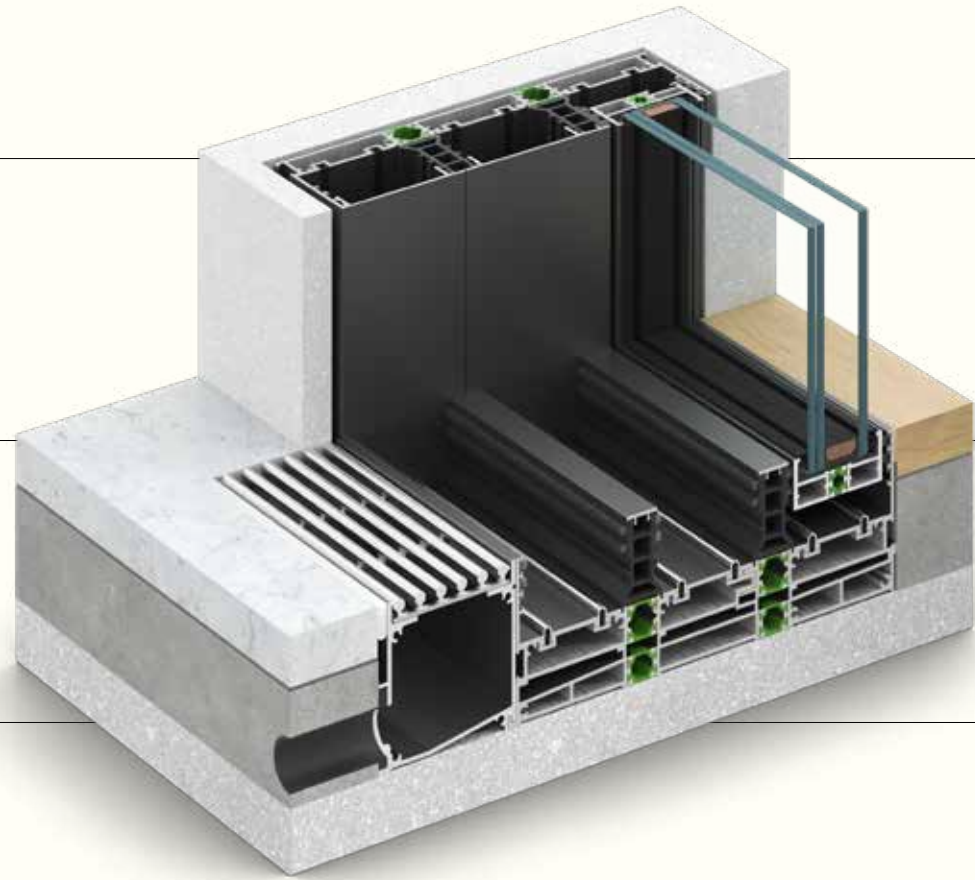
TTC

Hidden Sash

The triple track version with concealed sash frame offers infinite view and maximum light penetration.

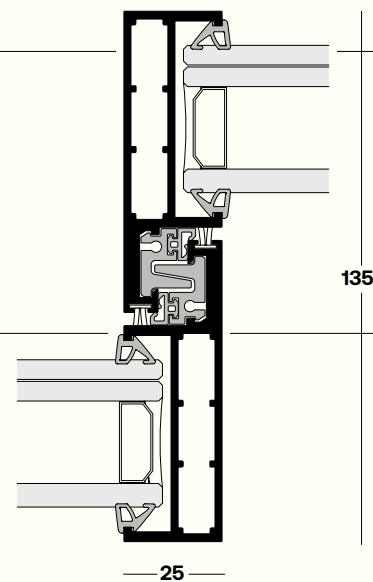
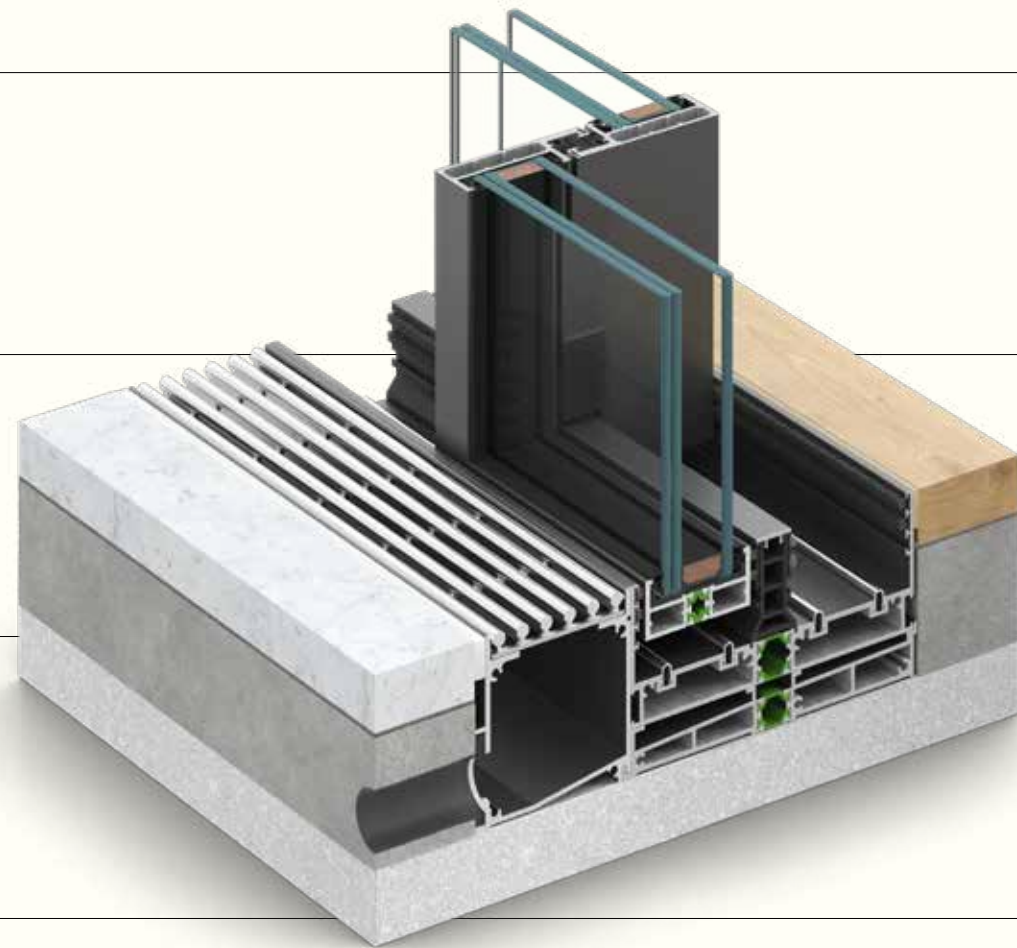
Hidden Track

The hidden track version offers visible sash with completely recessed track frame, covered with the flooring's finish material to open and unify spaces.



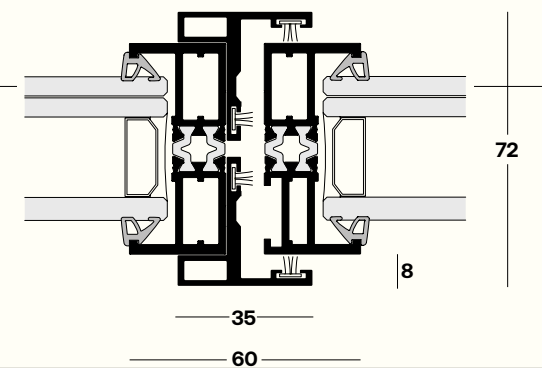
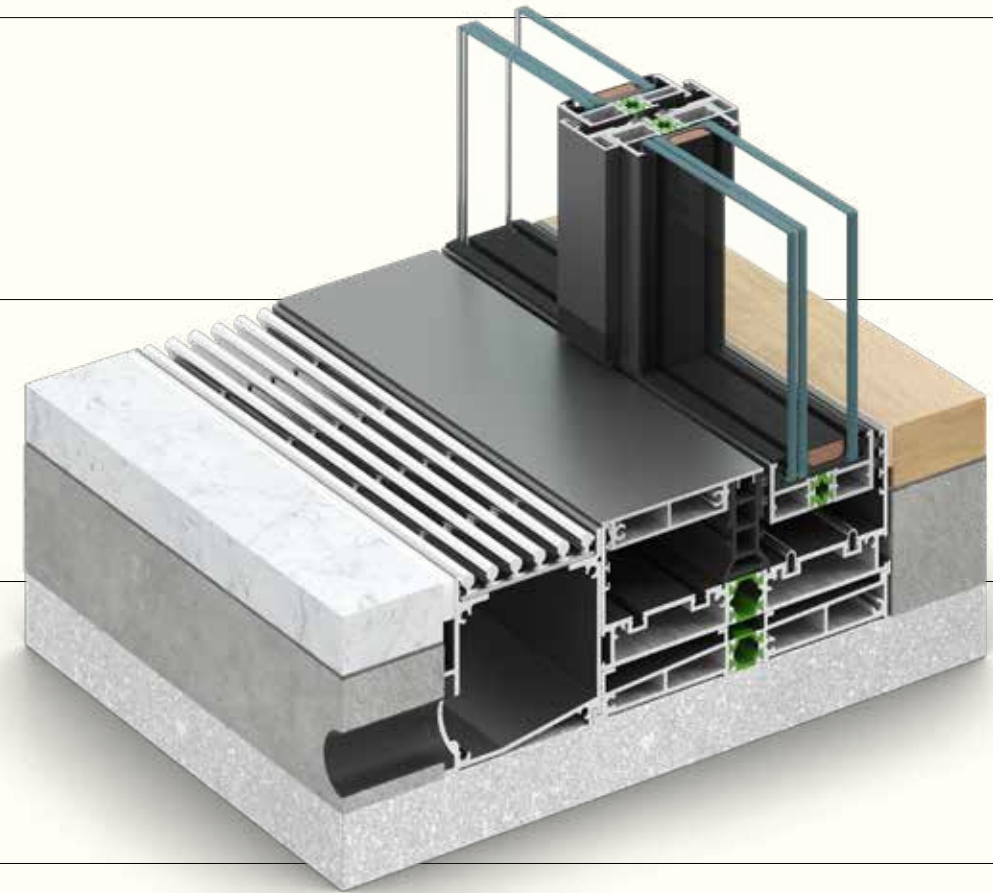
Interlock

Narrow face widths with only 25 mm of visible aluminium on the center vertical post, perfectly embodies the concept of minimal visual interruptions.



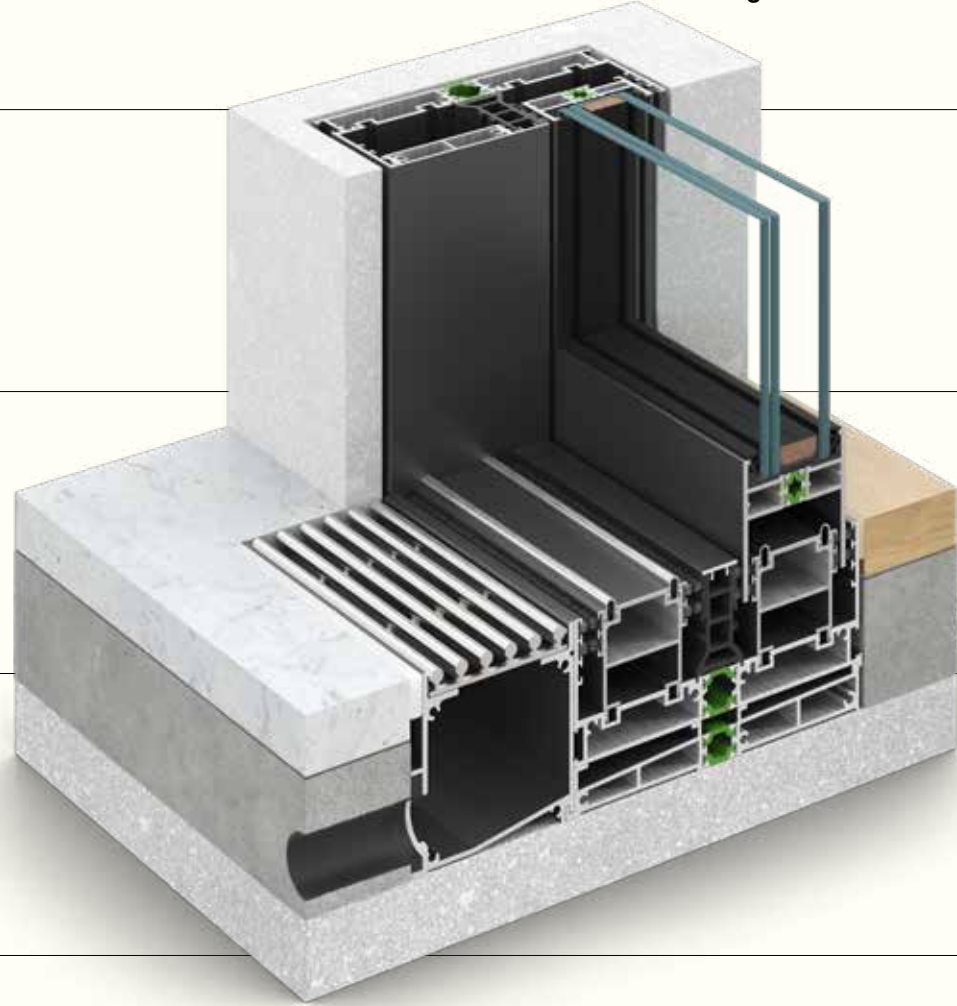
Meeting Stile

Slimline meeting stile of just 60 mm delivers the clearest possible views.



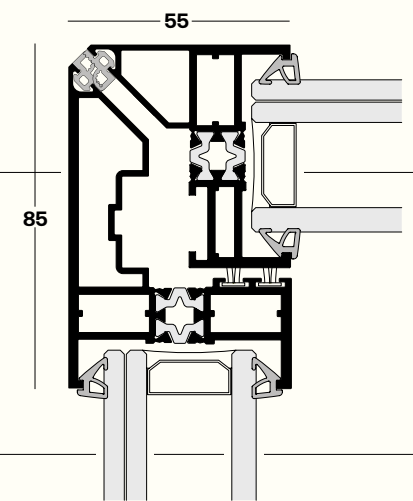
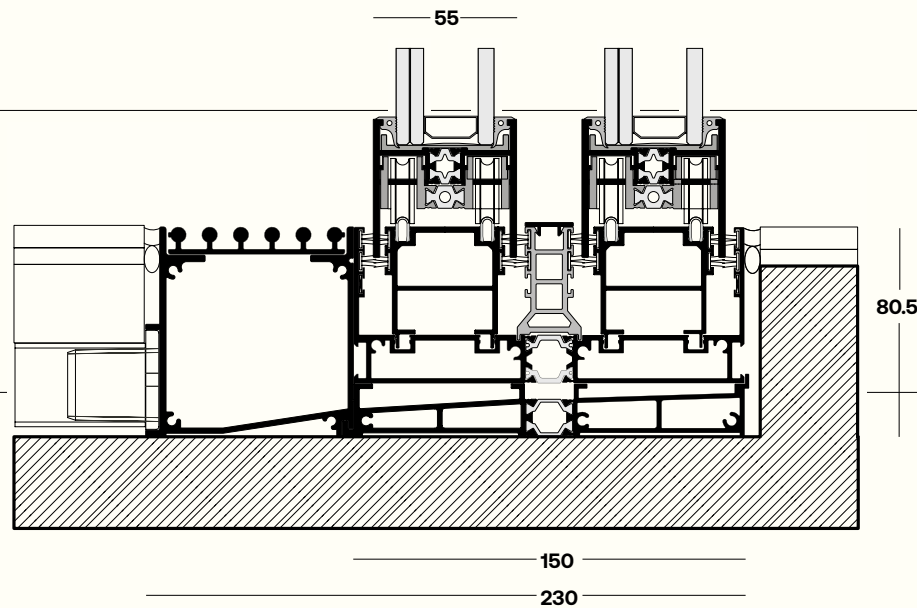
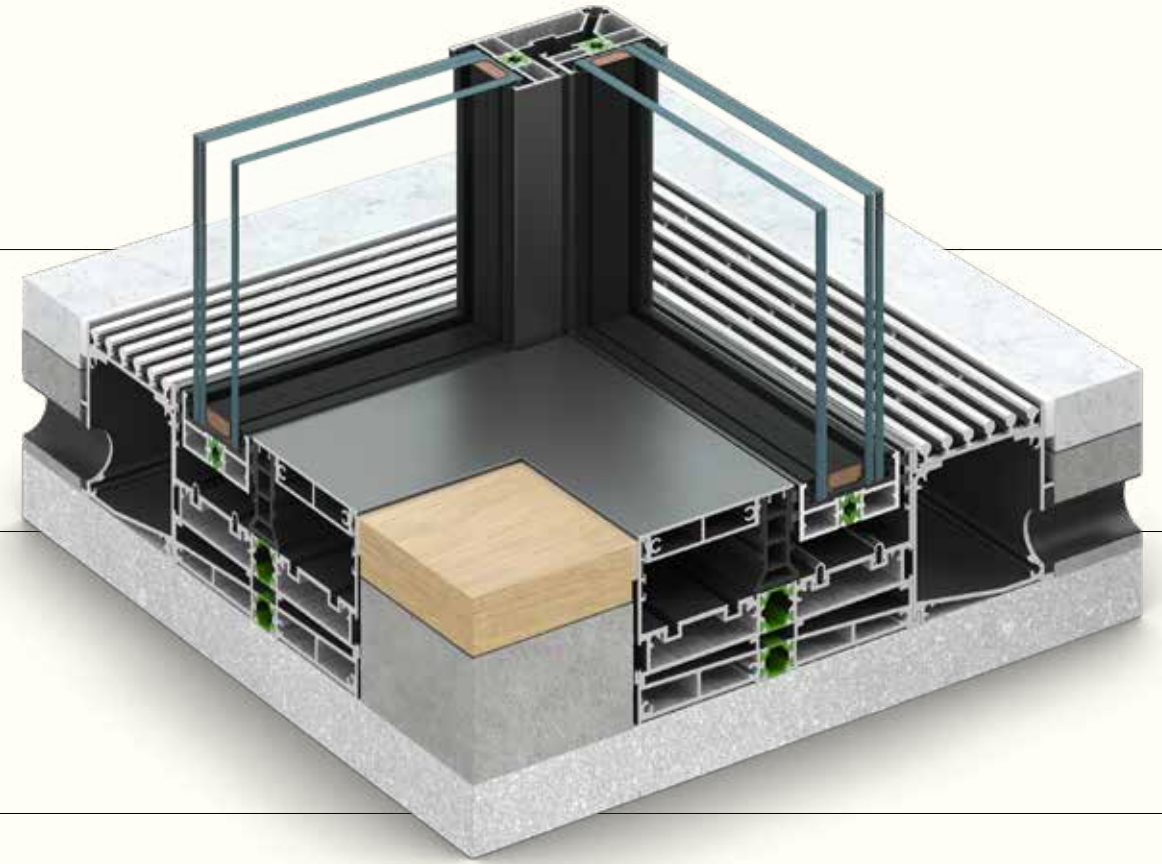
Flat Track

The use of a flat track provides an easy access from inside to outside. Ideal for people with disabilities. The flatness offers protection from dirt collecting in the bottom track.



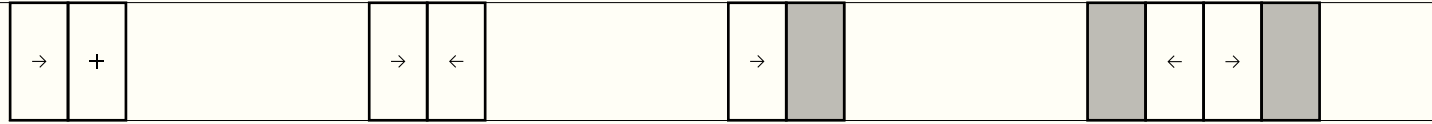
Corner Opening

The open corner solution allows us to open up the indoor spaces to the breathtaking outdoors.

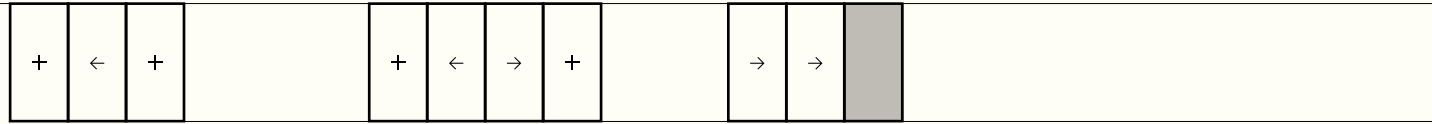




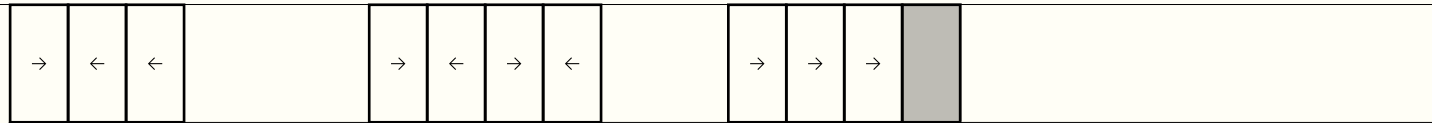
System Configurations



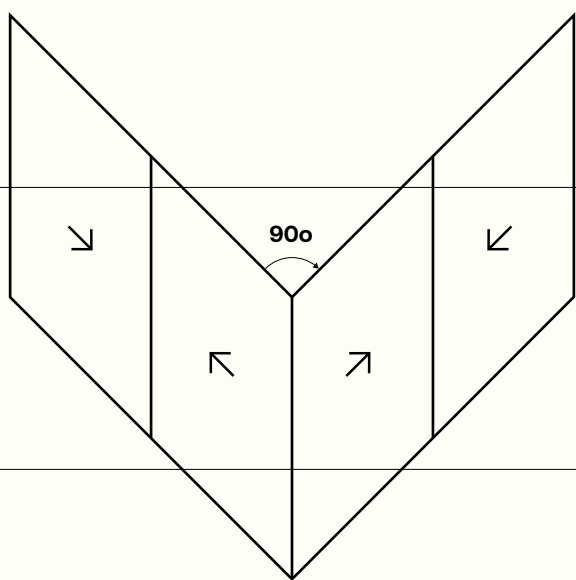
- One Fixed & One Movable Sash
- Two Movable Sashes
- One Movable Sash In Wall
- Two Central Movable Sashes In Wall



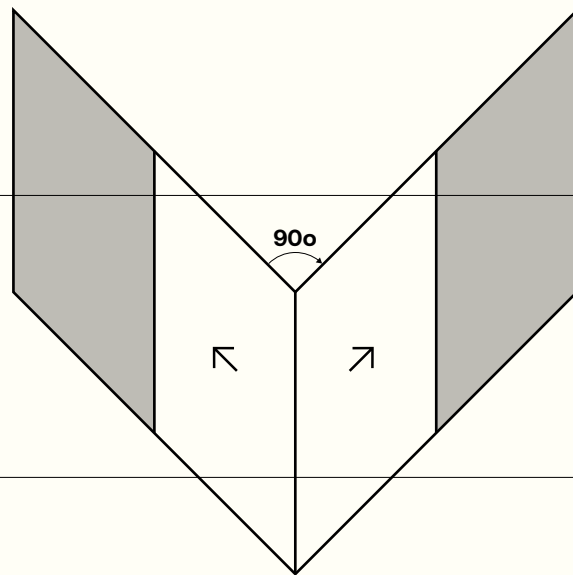
- Two Side Fixed & Single Central Movable Sash (Hotel Solution)
- Two Side Fixed & Two Central Movable Sashes
- Two Side Movable Sashes In Wall



- Three Movable Sashes
- Four Movable Sashes
- Three Side Movable Sashes In Wall



● Corner With Four Movable Sashes



● Corner With Four Movable Sashes In Wall



Technical Data

○ Category

↘ Value

- Exterior Aesthetics → Flat / Minimal with concealed frames and flush-fitted threshold
- Track Editions → Hidden sash / Visible sash / Flat track / Low flat track / Hidden track
- Frame Depth → 150 mm
- Sash Depth → 55 mm
- Face Height (Flat track edition) → 41 mm
- Visible Aluminum Face Width (Interlock) → 25 mm
- Visible Aluminum Face Width (Meeting Stile) → 60 mm
- Maximum Sash Surface → Up to 10 m² per sash
- Maximum Sash Weight → Up to 400 kg per sash
- Sealing Method → Perimetrical, with 2-level of silicone treated weather strips
- Hardware → ALUMINCO Multipoint locking, ALUMINCO Roller system
- Glass Type → Double / Triple
- Glass Thicknesses → From 37.5 mm to 41.5 mm
- Type Of Thermal Insulation → Polyamides 18 mm



System Performances

○ Category

↘ Value

- Thermal → Uf values from 1.4 W/(m²K)
- Air Permeability → Class 4
- Water Tightness → Class 6A
- Wind Load Resistance → Class B3
- Acoustic → 45 dB

02 →

CW35



ID ↘

Simplicity at its best, SKYLINE CW35 is the new generation of Aluminco's curtain wall system, which offers maximum transparency due to minimal face widths of just 35 mm wide. The ultra-thin lines of the system allow your living spaces to be filled with panoramic views and natural light.

To meet the highest design standards, the system delivers a range of aesthetical solutions in two body types. The most slimline of appearance in standard and structural type, which ideally combines the strong elements of the system and a more industrial or retro style version, following the current trends in architecture. The optimum has been achieved and the maximum reached. Yet, if you look at every detail of the SKYLINE CW35, you may discover unreached performance possibilities.

Style Setter

- Slim facade design allows for maximum light penetration
- Transparent facade offers breathtaking views
- Two body types in contemporary and industrial -look- design
- Exceptional thermal and acoustic insulation
- Combines perfectly with the SKYLINE W85^{HS} for large facade frames
- Ideally suited for luxury residential and commercial environments



More slimline appearance

The extremely narrow face widths of just 35 mm create a dominant sleek look and offer an unimpeded view. All design elements of the system reveal the SKYLINE DNA. From the outside, the system appears as a solid structure with a slim row of panels, while from the inside it appears almost completely transparent. The result, an impressive facade offering a spacious, light-filled living environment.



More design More looks

The SKYLINE CW35 facade system provides architects with a diverse range of design options, all in extremely slimline face width with the highest degree of functionality. A broad selection of transom and mullion profiles in two body types, standard and structural, in retro or industrial look, all boast a striking appearance and impressive performance. The retro version of CW35 slimline facade can be combined with the SKYLINE W85ST, delivering the perfect retro scene.



Transparent architecture

The CW35 facade system delivers attractive but also reliable solutions even for the highest of structural requirements. It fits perfectly in extremely large, glazed area for almost floor-to-ceiling structures, ensuring a particularly bright and welcoming ambience in the interior. The maximum level of transparency is achieved thanks to slimline face width, while the excellent thermal insulation values meet the most demanding requirements of any residential or commercial environment.



Shaped by performance

Aesthetics, combined with high performance features are essential in modern architecture. With carefully designed profiles and high-quality components, the SKYLINE CW35 meet or even exceed all of your performance requirements – in every design, on every building, at every environment. Whether you prefer the retro or industrial style upon your next project, or the contemporary clean lines of the standard or structural type, it is purely a matter of personal choice and required performance. But one thing is certain: every CW35 is first and foremost a performance system.



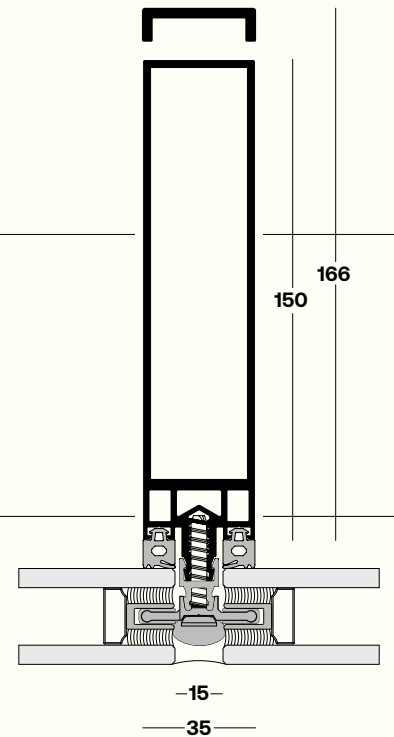
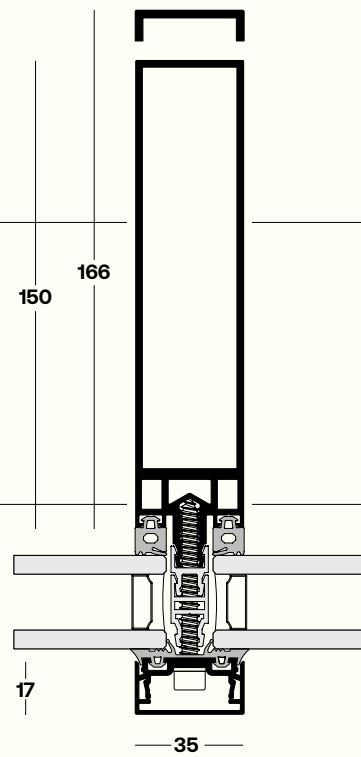
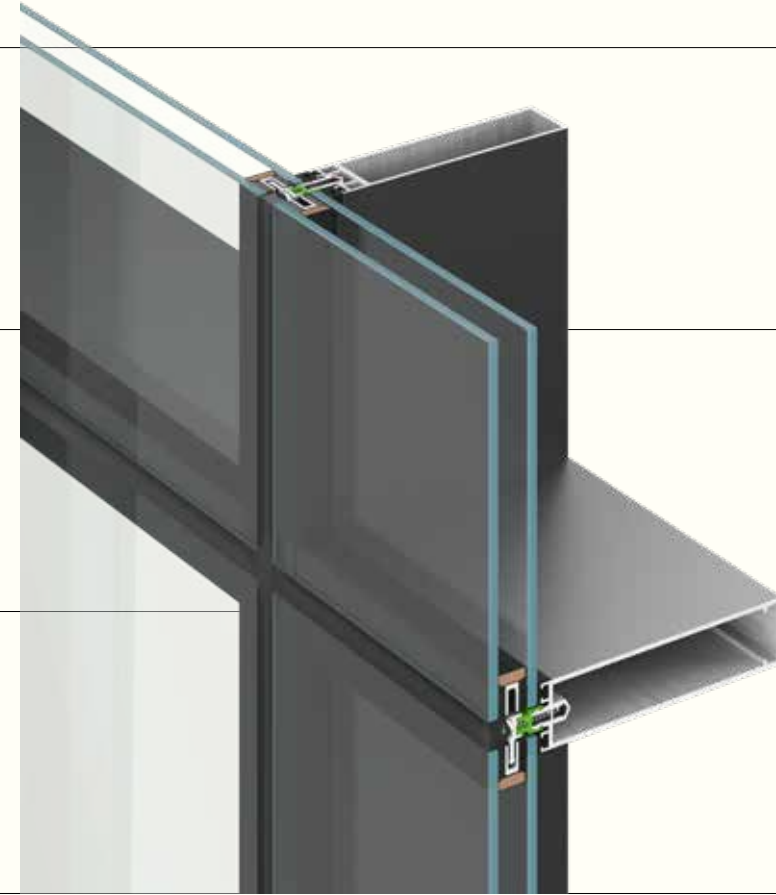
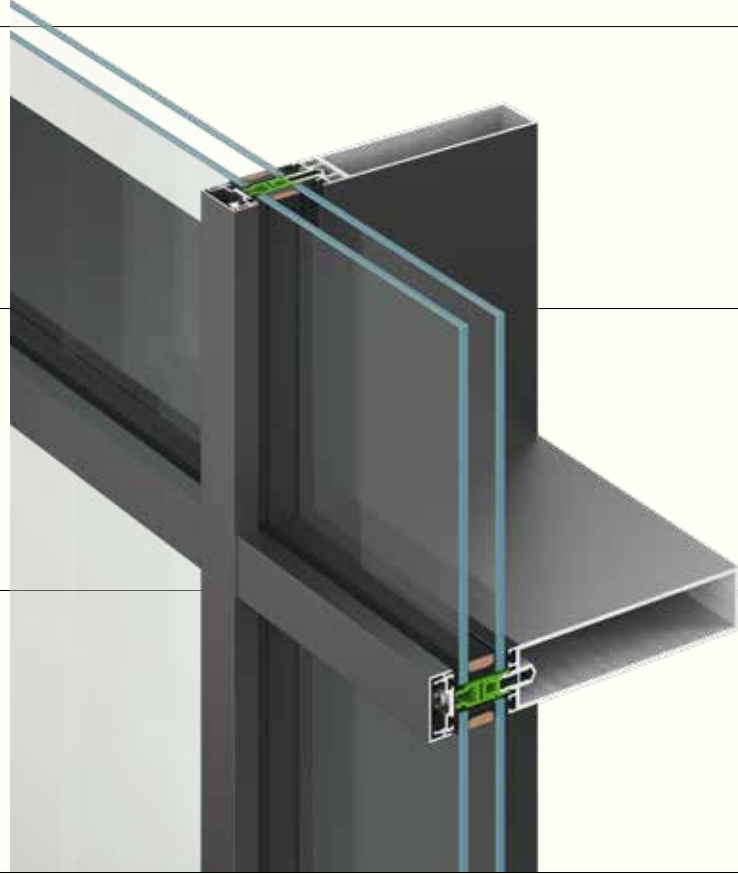
TC

Standard

Slimline body face with pressure plate and aluminum cover, resulting in high insulation performance.

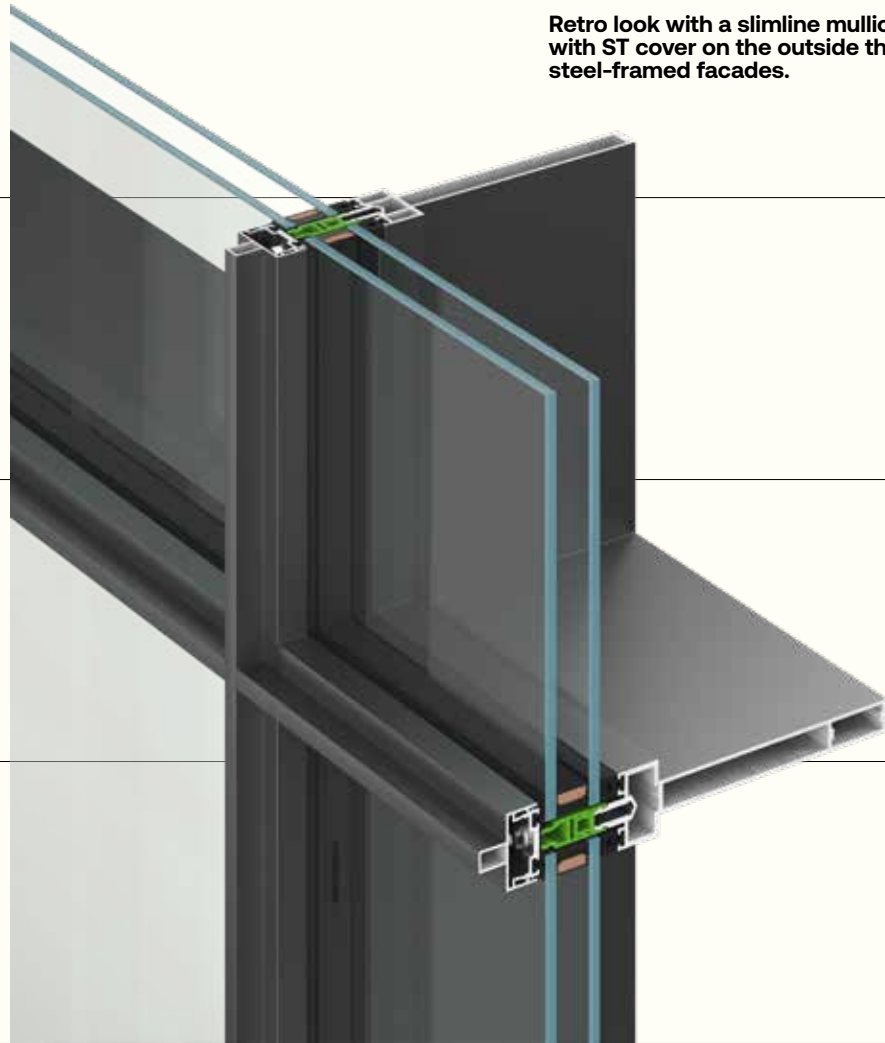
Structural

Structurally sealed glass for a continuous glazed facade appearance.



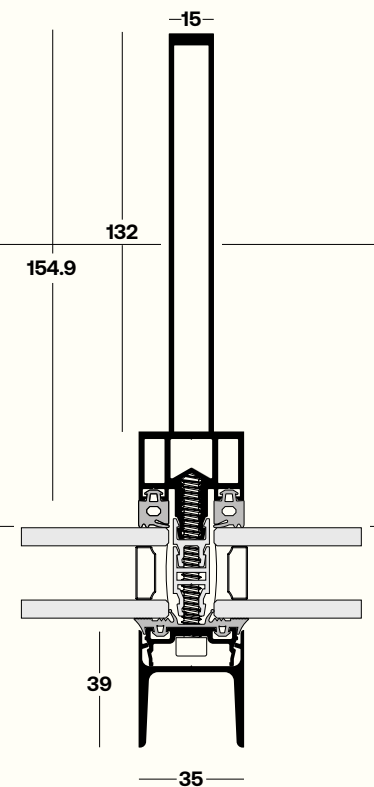
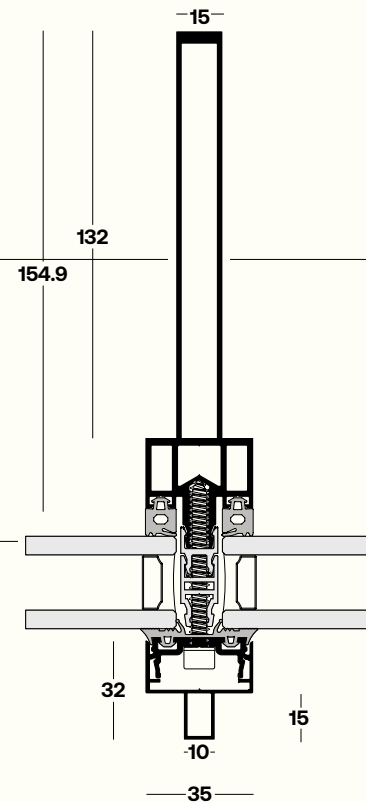
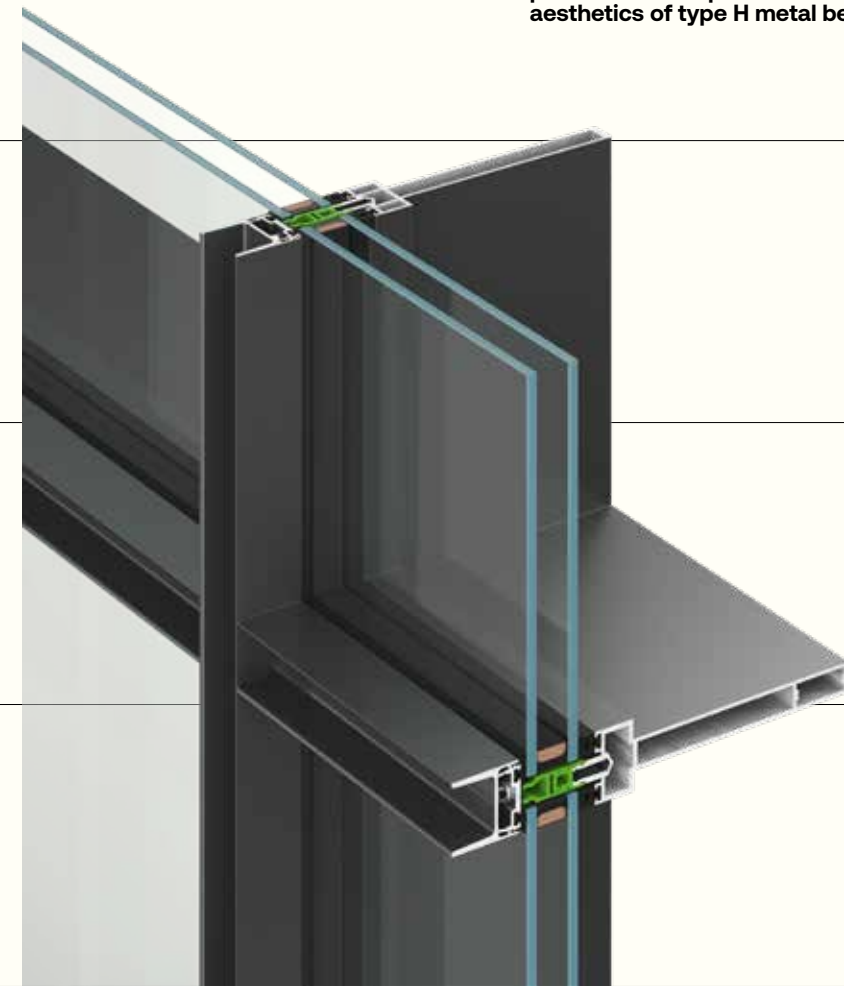
Retro

Retro look with a slimline mullion from inside and a pressure plate with ST cover on the outside that resembles the aesthetics of steel-framed facades.



Industrial

Industrial look with a slimline mullion from inside and a pressure plate with U-shaped cover on the outside that resembles the aesthetics of type H metal beams.



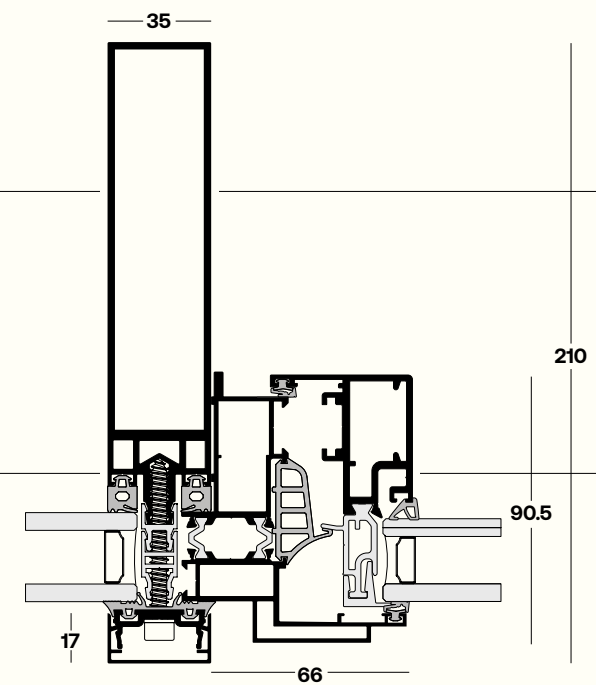
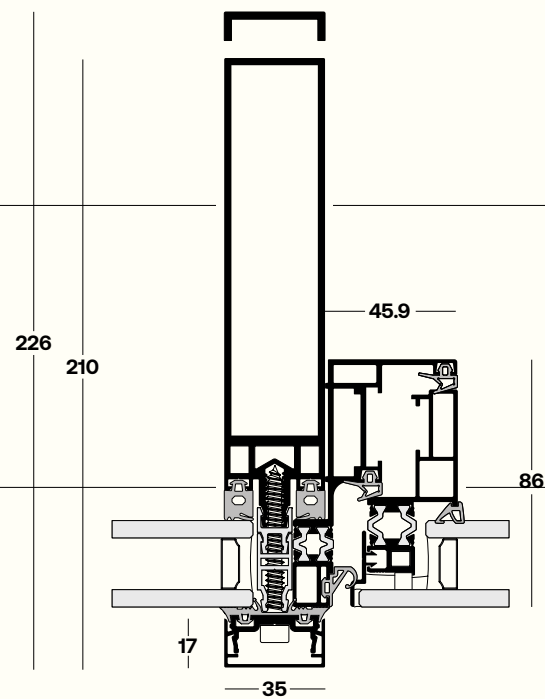
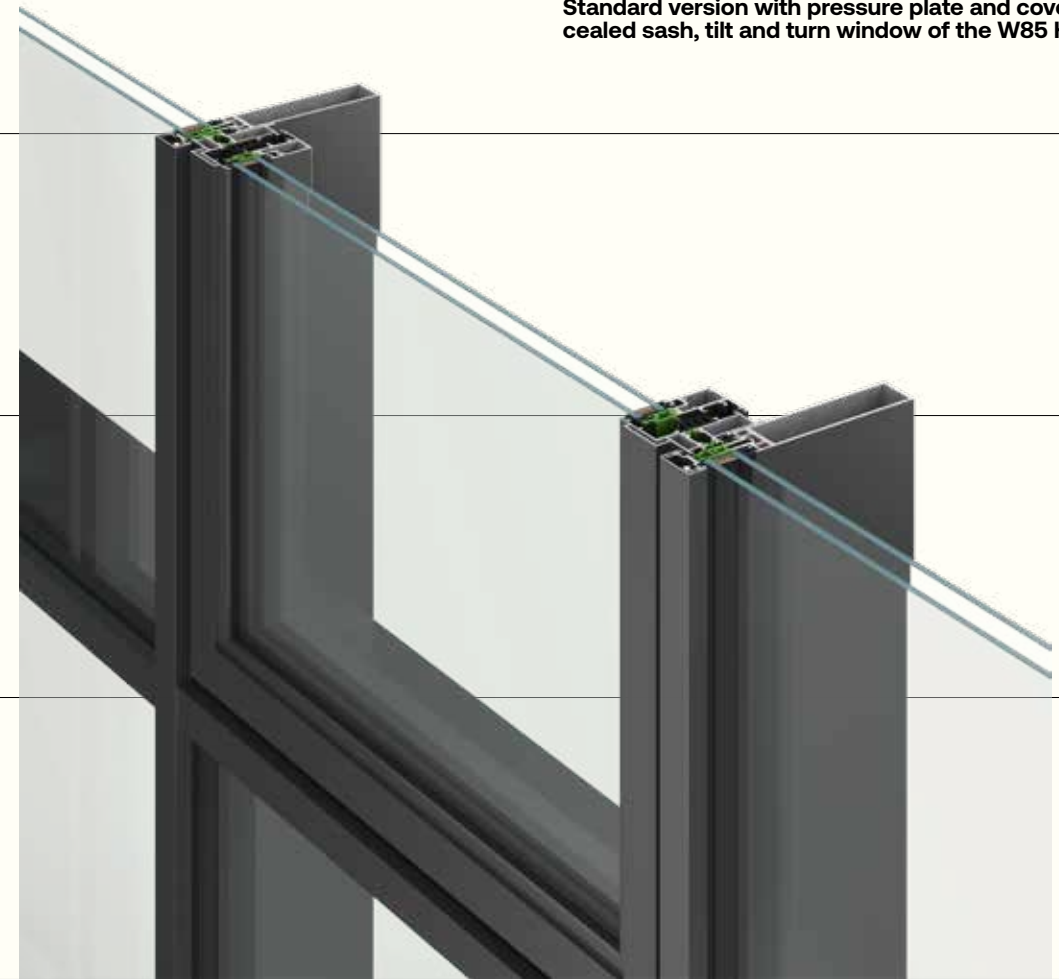
Projected Outward Window

Standard version with pressure plate and cover, where a projected outward window is applied.



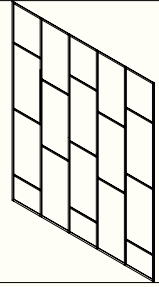
Concealed Sash Tilt & Turn Window

Standard version with pressure plate and cover, where a concealed sash, tilt and turn window of the W85 HS series is applied.

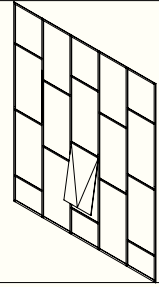




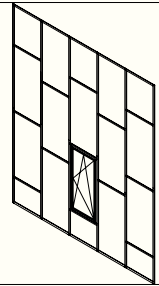
System Configurations



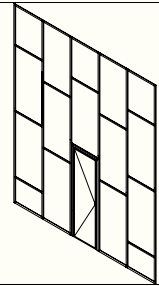
● Fixed



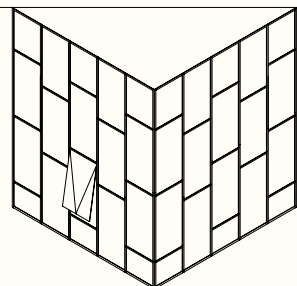
● Fixed With Projected Windows



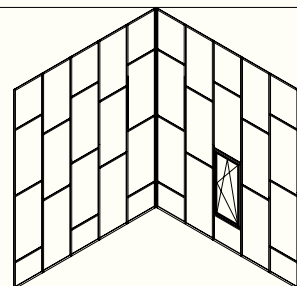
● Fixed With Inward Opening Windows



● Fixed With Entrance Door



● Out Corner



● Inside Corner



Technical Data

○ Category

↘ Value

- Exterior Aesthetics → Standard / Structural / Retro / Industrial
- Exterior Visible Aluminum Face → 35 mm
- Column Depth → Up to 185 mm
- Transom Depth → Up to 192.5 mm

- Glass Thicknesses → From 6 to 48 mm
- Glazing Fixed Method → Pressure plate / Structural
- Windows Hardware → Visible / Concealed
- Type Of Thermal Insulation → Polyamides, Insulation Foam



System Performances

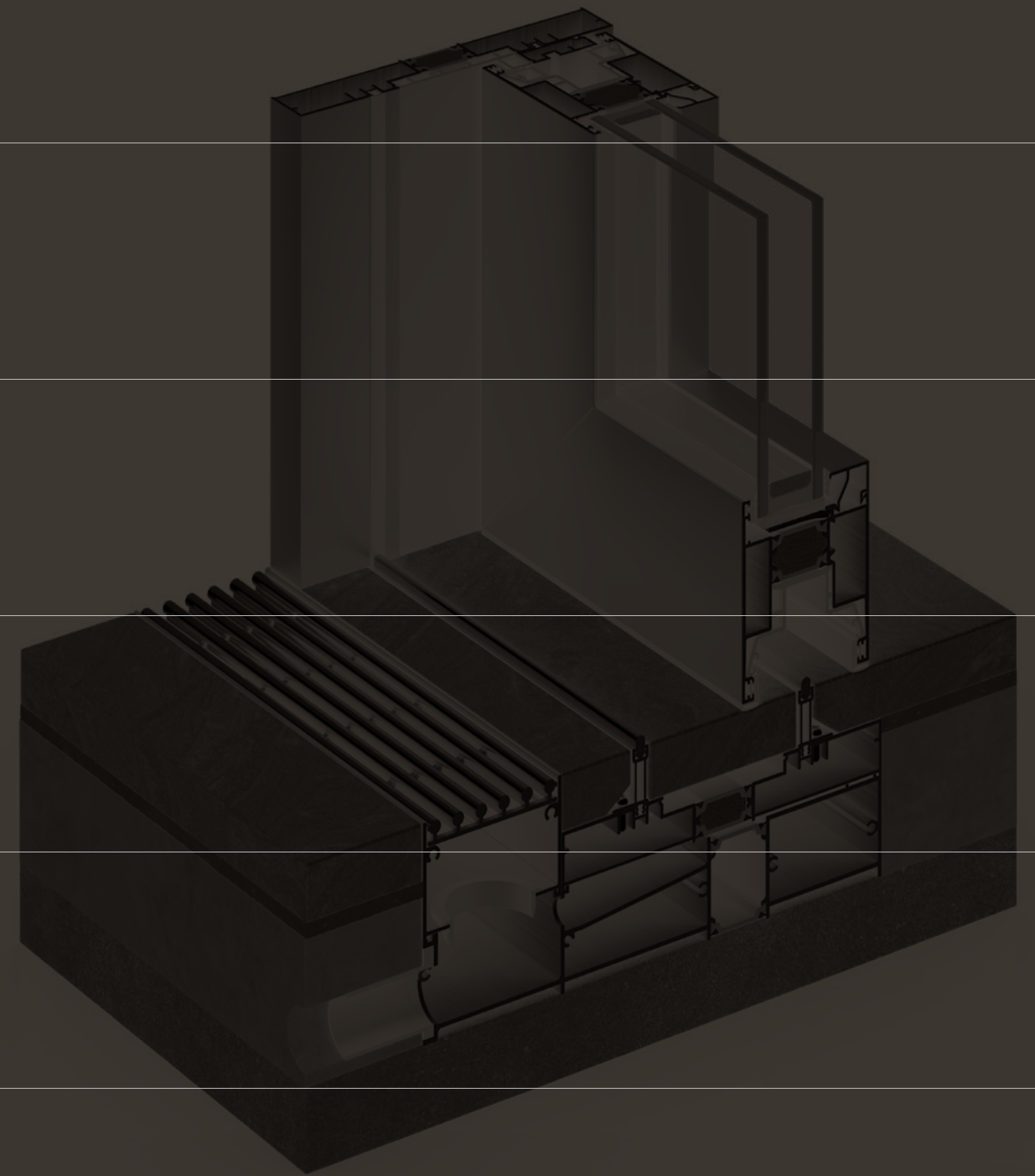
○ Category

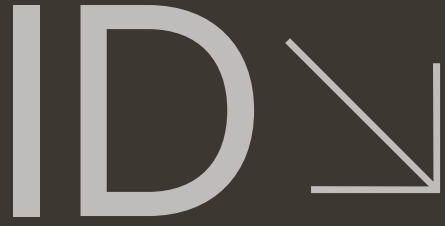
↘ Value

- Thermal → Uf values from 2.0 W/(m²K)
- Air Permeability → Class AE 1200
- Water Tightness → Class RE 1200
- Wind Load Resistance → Design Load ± 1.4KN/m² Safety Load ± 2.1KN/m²
- Acoustic → 45 dB

03 →

SL27⁰⁰





The SKYLINE SL2700 is one of the greatest lift-and-slide systems in the world, an awe-inspiring feat for contemporary architecture! Attractive and effective slim-frame-lines, excellent thermal insulation values and high-quality components create an exceptionally uplifting atmosphere.

The architectural aesthetics are depicted on the narrow interlocking face width which allows greater visibility and flow of light, while the flush-fitted threshold offers high comfort and ease of access. For the most architecturally challenging projects, the system offers all-glass corners as well as 90° open corners requiring no structural post. Applying the most accurate performance testing for air, water, wind, sound insulation, structural and forced entry, this next generation system is capable to meet the most extreme performance requirements, making it suitable for virtually any location in the world.

Great Wide

- Ultimate high-end look grants freedom
- Wide span structures are perfectly fulfilled
- Exceptional performance for virtually all environments
- All-glass corners as well as 90° open corners are possible
- A complete range of tracks
- Impressively smooth sliding and easy to handle
- Minimal design for modern architecture
- Impressive transparency and maximum light penetration
- More flexibility in locking
- The Hotel Solution meet the higher standards of hoteliers



Wide open living spaces

The architectural aesthetics are depicted on the narrow interlocking face of 43 mm width which permits greater visibility and flow of light, while the low-level threshold of only 25 mm offers high comfort and ease of access. From new construction to remodeling projects, the demand for multi configurations and large units with maximum light penetration is what the SL2700 Great Wide has been engineered for.

- Sash units of up to 3x3 meters
- Minimal frame with narrow interlock is even possible at a meeting style connection
- High quality fitting components for open and close with ease
- Highly secure multipoint lock with anti-lifter



Corners for borderless views

Whether you choose an open corner solution or an all-glass corner, a particularly bright and welcoming ambience in the interior is ensured. The SL2700 corner typology without any post, not only do the frame and glass elements open up the living areas visually, but also bring the natural elements into the built environment. Essentially, open corners give designers the tools to help create beautiful, restorative environments that connect us with nature. And this is not an aesthetic extravagance, but an imperative strategy to improve our well-being.

- Revel in more style and modernity
- Maximum transparency and light penetration
- Create a greater sense of space



Maximum performance for virtually all environments

Applying the most accurate performance testing for air, water, wind, sound insulation, structural and forced entry, the Skyline SL2700 is capable to meet the most extreme performance requirements, making it suitable for virtually any location in the world.

- High rating in thermal insulation index
- Excellent water tightness performance is achieved
- With an overall sash depth of 70 mm, exceptional protection from exterior elements is provided while a comfortable and quiet indoor experience is delivered
- Benefit from high wind load and air-and-water infiltration performance, suitable for high-rise applications



Easy-access connection from inside to outside

A complete range of tracks fulfil different requirements in advance of the design, the level of comfort and the performance degree. Single, double, triple, high performance, low bottom, flat, viewless are options that almost cover every possible configuration in the real construction. All tracks are thermally insulated for optimum energy efficiency and give the option to be installed flush at interior floor where a drainage system is required. The "viewless" track (VT), is totally concealed into the floor and covered with the floor finish, connecting the inside to outside with outstanding user comfort. Top-class water tightness is achieved thanks to the effectiveness of the concealed water drainage system.



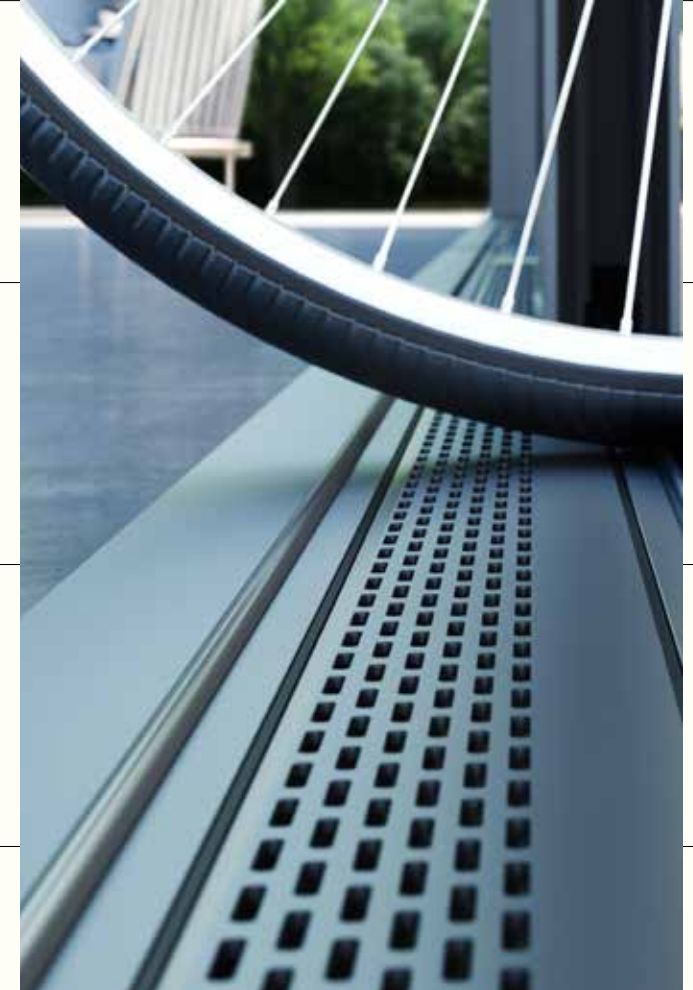
TC

Flush Lock

The locking is almost flush fitted in the outer frame, which means that technical details are not visible. This option can meet higher wind loads.

Accessibility Ensured

System's threshold solutions give us the opportunity to meet the requirements for easy accessibility in almost all circumstances.

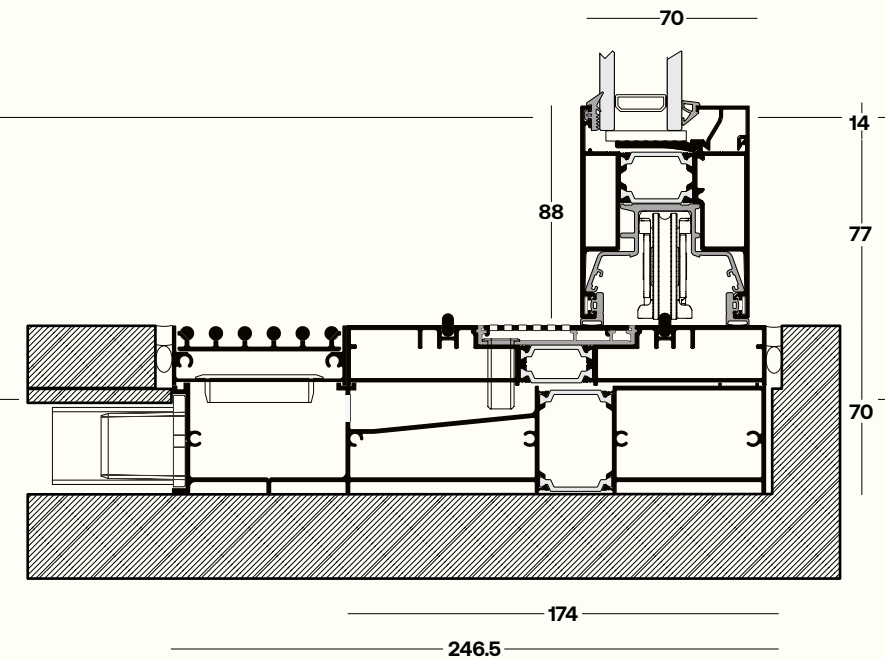
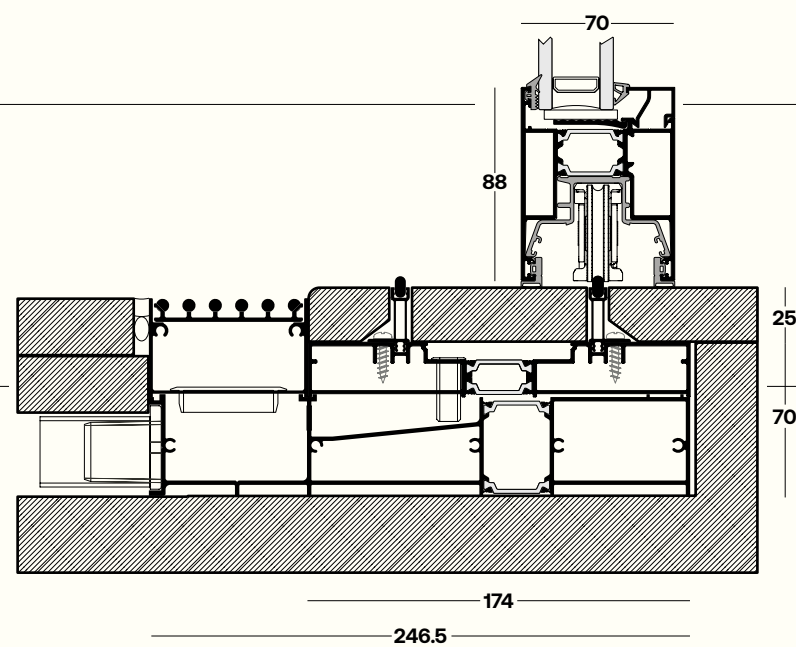
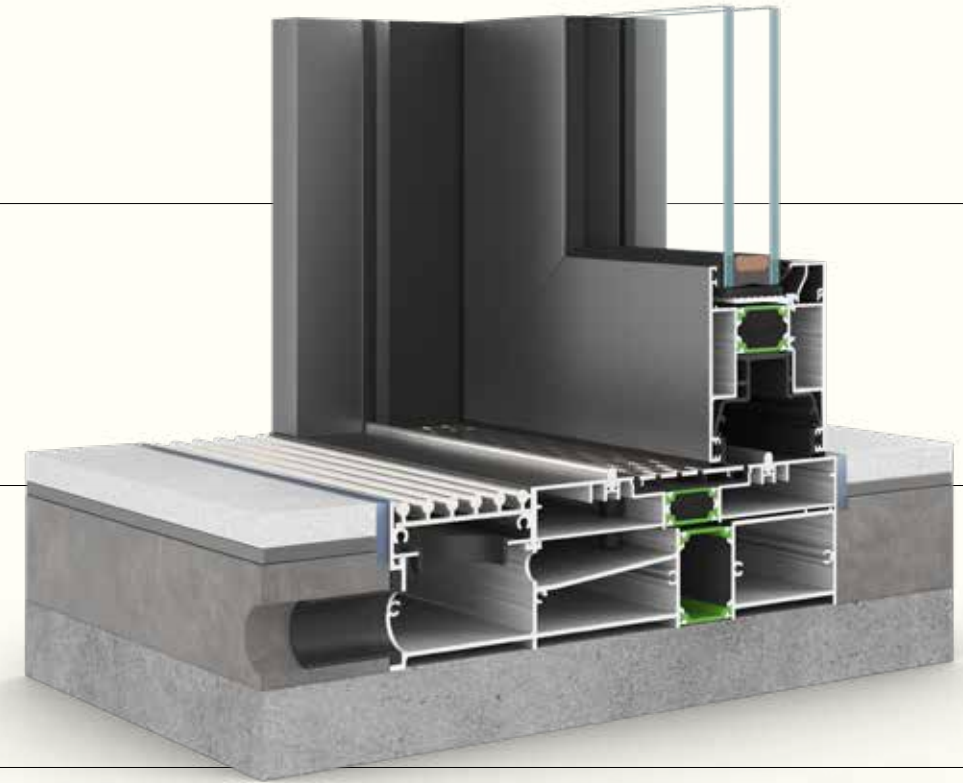


Hidden Track

The hidden track, totally concealed into the floor and covered with the floor finish, offers the most 'visual impact' solution with outstanding user comfort, ideal for use as a high-end solution in premium commercial projects and luxury residential properties. Top-class water tightness is achieved thanks to the effectiveness of the concealed water drainage system.

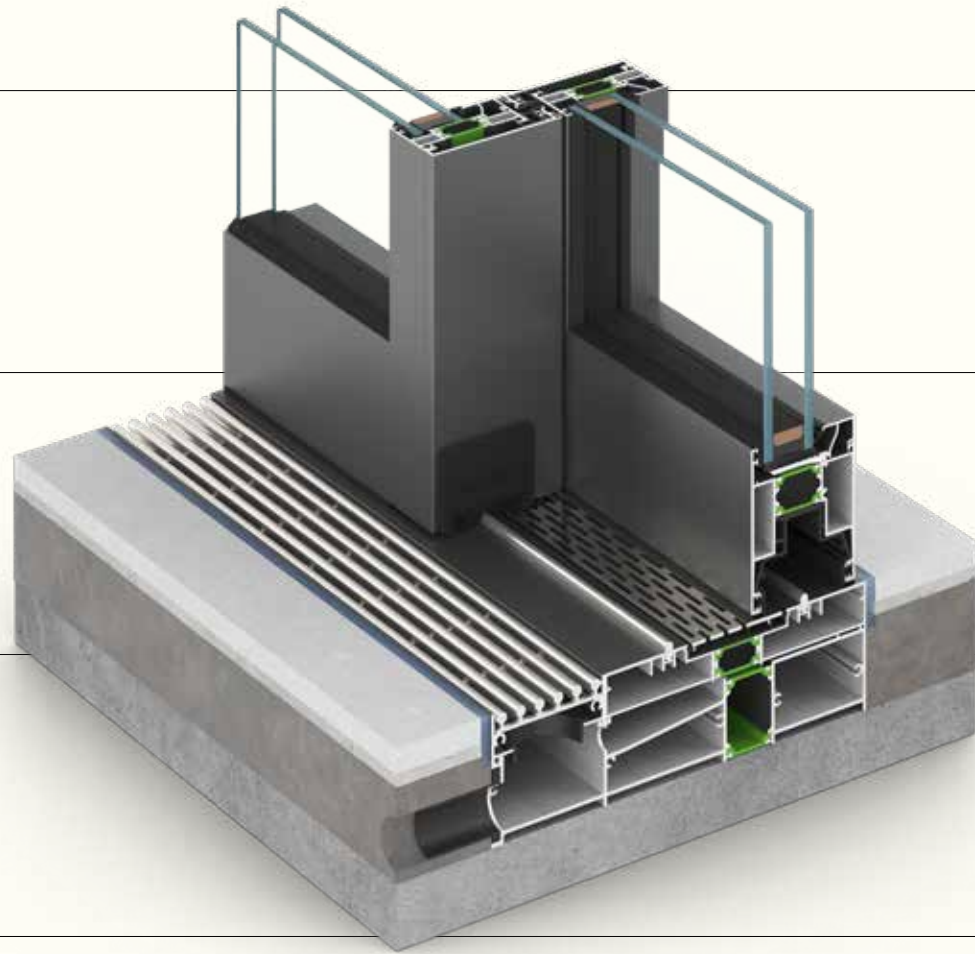
Flat Track

The use of a flat track provides an easy access from inside to outside. Ideal for people with disabilities. Furthermore, the flatness offers protection from dirt collecting in the bottom track.



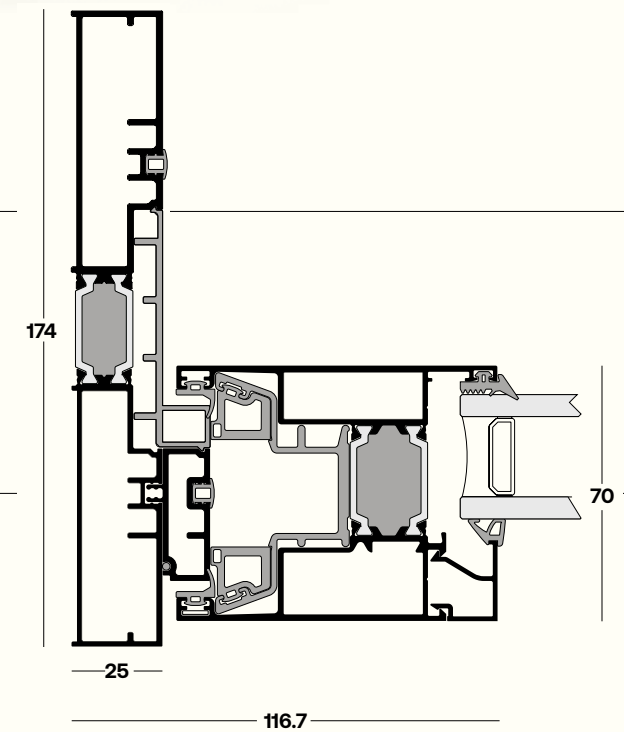
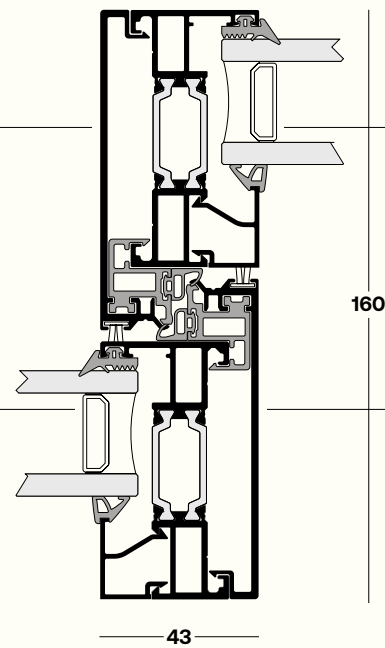
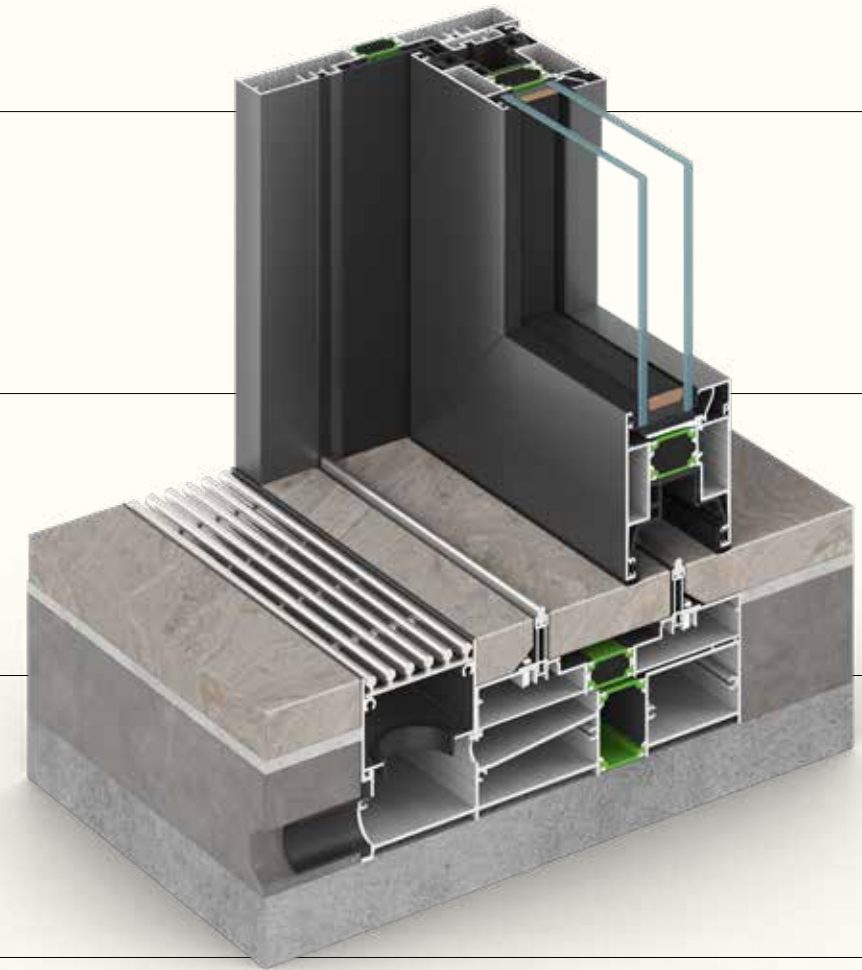
Interlock

Narrow interlocking section with face widths from 43 mm for max transparency.



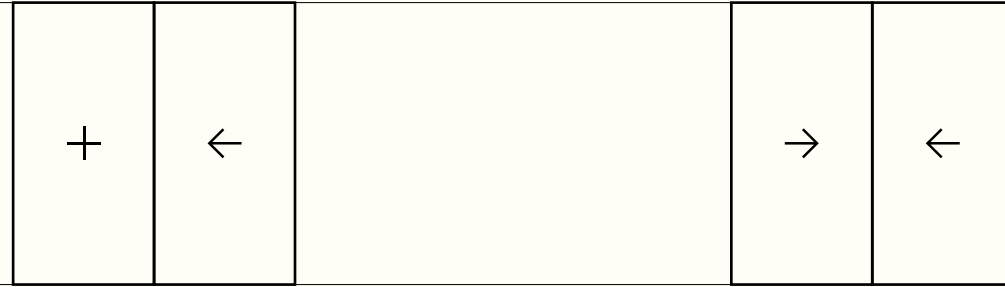
Side Frame

Reduced outer frame ensure an even more slender appearance.



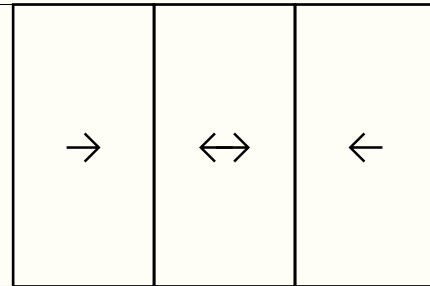


System Configurations

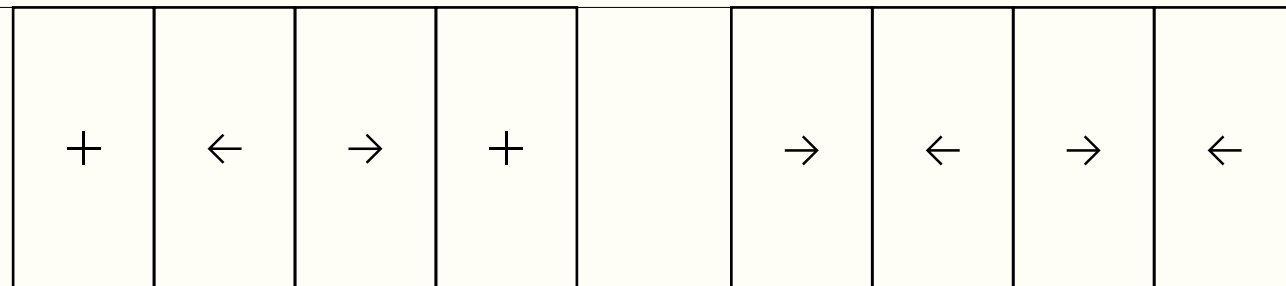


● One Fixed & One Movable Sash

● Two Movable Sashes



● Three Movable Sashes



● Two Side Fixed & Two Central Movable Sashes

● Four Movable Sashes



Technical Data

○ Category

↘ Value

- Exterior Shapes → Flat / Contemporary look with narrow interlock & reduced sightlines
- Window / door Types → Lift-and-slide
- Track Width → 174 mm
- Minimum Track Height → 25 mm
- Visible Aluminum Face Width (Interlock) → 43 mm

- Maximum Sash Width → 3000 mm
- Maximum Sash Height → 3000 mm
- Maximum Sash Weight → Up to 400 Kg
- Sealing Method → Perimetrical with EPDM gaskets & multi-layer brushes
- Hardware → L&S mechanism & rollers with standard or hook version, locking points

- Glass Type → Double / Triple
- Glass Thicknesses → From 24 mm to 52 mm
- Type Of Thermal Insulation → Polyamides of 30 mm, Insulation Foam



System Performances

○ Category

↘ Value

- Thermal → Uf values from 1.7 W/(m²K)
- Air Permeability → Class 4
- Water Tightness → Class 9A
- Wind Load Resistance → Class B4
- Acoustic → 42 dB

04 →

W85^{HS}



ID

The W85HS is a highly insulated hinged system, offering the greatest possible degree of architectural design freedom by maximizing natural daylighting and granting enhanced views with outstanding insulation levels. Instantly recognisable, W85HS is a system with intense personality. The system's ingenious design and structure, its solid, minimal face lines, the concealed elements, and the design perfection of the components in combination with the choice of high-quality materials encapsulate impressive energy levels, offering one top, contemporary window.

Distinguished by its wide -picture frame- openings and the minimal elements, the system ensures a particularly bright and welcoming ambience in the interior. At the same time, it offers maximal user comfort due to increased thermal properties, make it ideal for demanding architectural challenges.

View Master

- Maximum light penetration
- Slender face widths with concealed window elements
- Outstanding thermal and sound insulation levels
- Impressive water and air tightness
- Concealed fittings are possible
- Suitable for both double and triple glazing
- Easy access low threshold meets international requirements
- Ideally suited for demanding residential projects



Modern Living

The View Master W85 HS exploits its clear, elongated lines and concealed window elements, as two exciting design features to create an external elegant visual appearance.



A sense of flow with light-filled spaces

A frame design that follows the latest trends to accentuate brightness of space and create aesthetic solutions with great emotional impact. This is the View Master from inside, specially designed to foster feelings of freedom and wellbeing. Due to the combination of large-scale openings and slimline yet strong profiles, a sleek, clean design is achieved, offering a spacious light-filled living environment.



Efficient Connectivity

The transparency of the W85 HS windows in combination with the slimline facade CW35 allow the views to penetrate the building. The outside blends with the inside and the passing of the seasons connects with daily life. The system generates maximum transparency by merging the sash with the facade structure, where fixed fields and opening units are indistinguishable from the outside. Through this connectivity which combines extremely slimline face widths with the highest degree of functionality and optimum thermal insulation, a new empathy is established between building and place.



Engineered for everywhere

The View Master W85 HS features the greatest components and materials, providing the finest go-anywhere performance. Designed to offer unrivalled comfort and wellbeing, the system aims to provide first in class air-wind-water performance. The system boasts for superior thermal comfort and refined acoustics, while the low bottom threshold has been designed to be stylish and to provide an easy-access entrance.



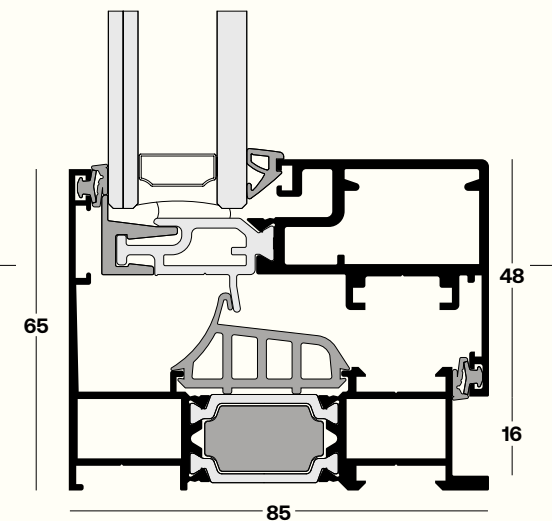
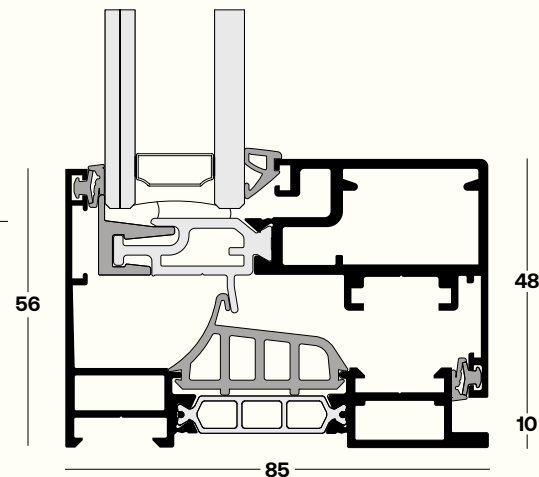
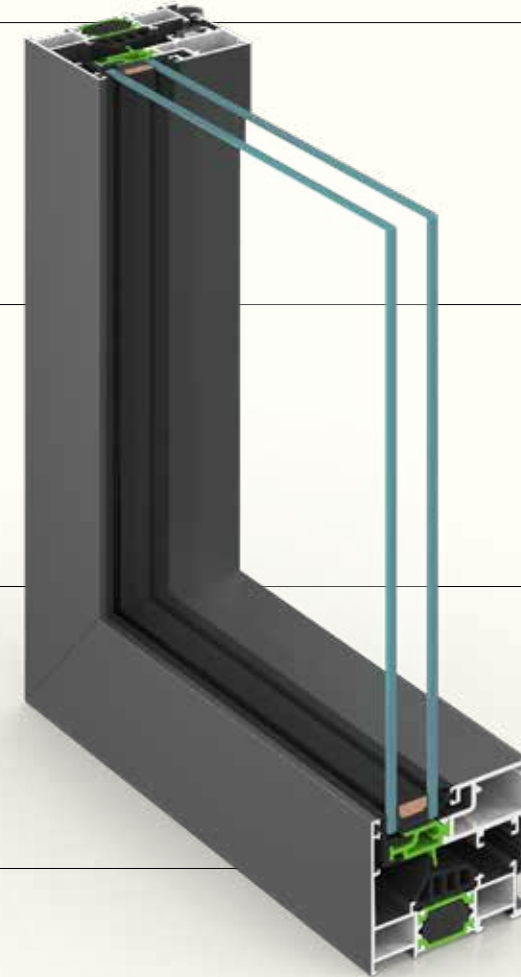
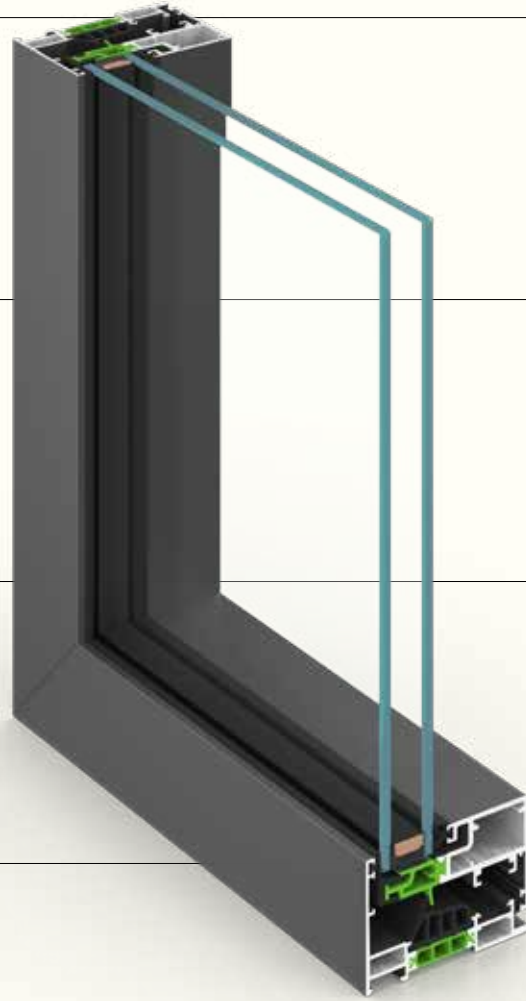
TC

Low Frame

Opening section with low profile frame for greater transparency and modern aesthetics. Use of only concealed hinges for high-quality, stylish architectural solutions.

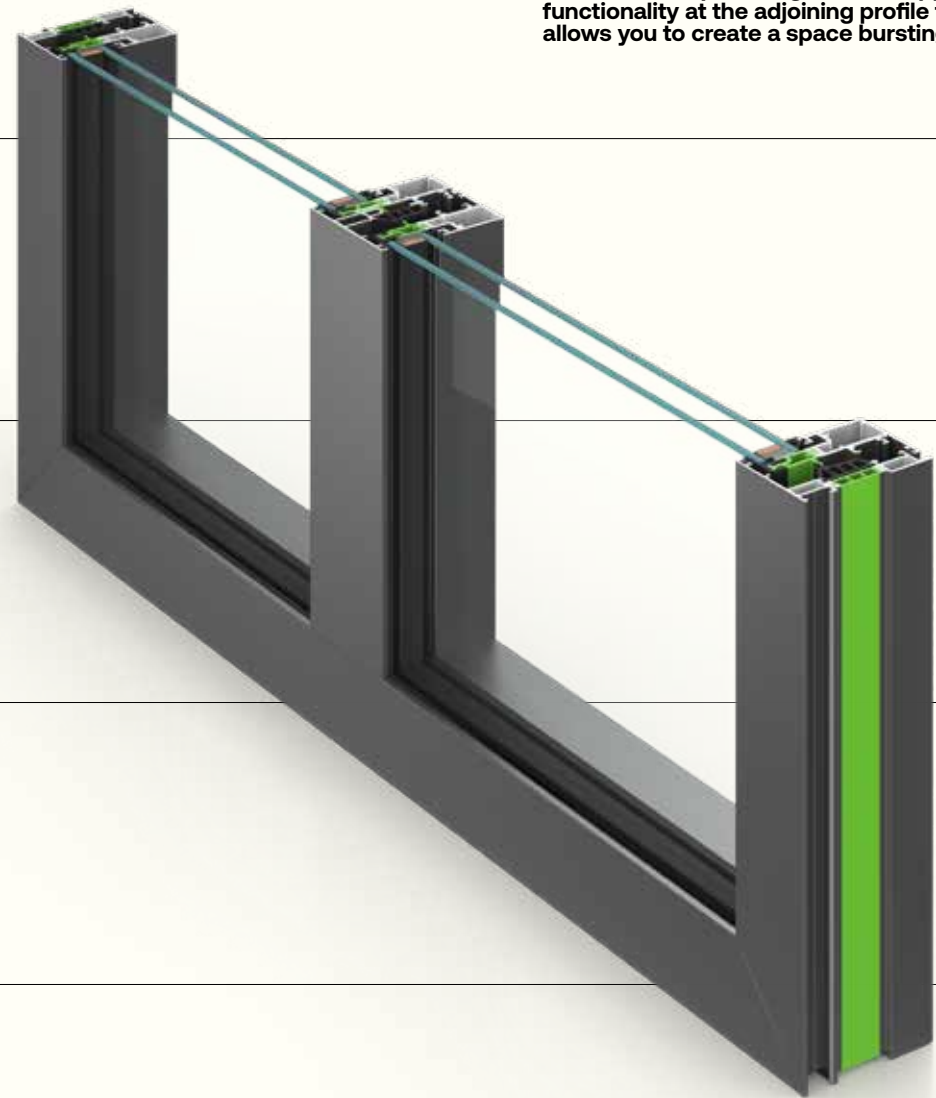
Standard Frame

Opening section with more visible frame for robust constructions and with the less possible retreat in terms of aesthetics. Use of visible hinges or concealed hinges.



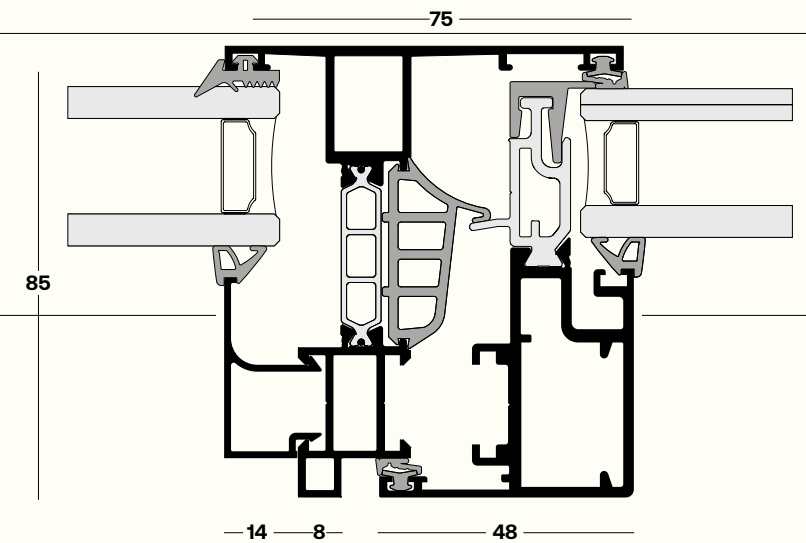
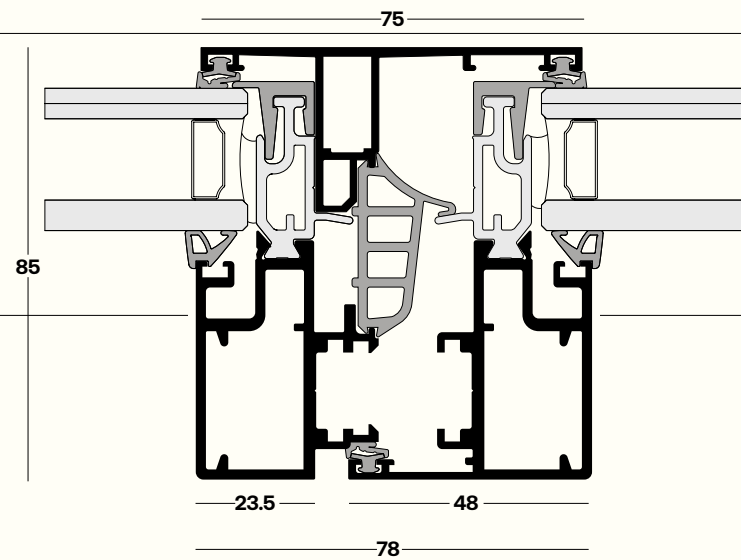
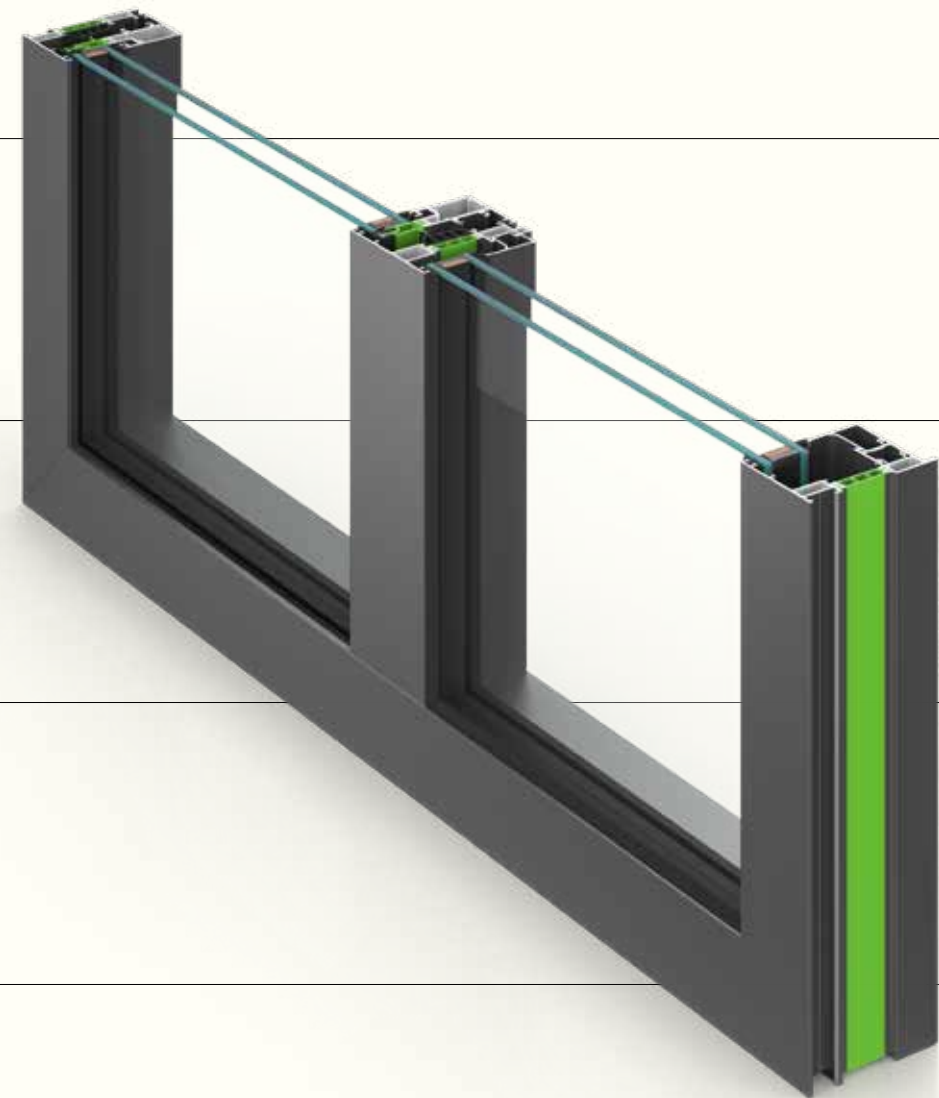
Narrow Viewing

The narrowed and hidden sash have reduced the overall width of the frames, providing reduced appearance with maximum functionality at the adjoining profile to just 78mm width and thus allows you to create a space bursting with minimal character.



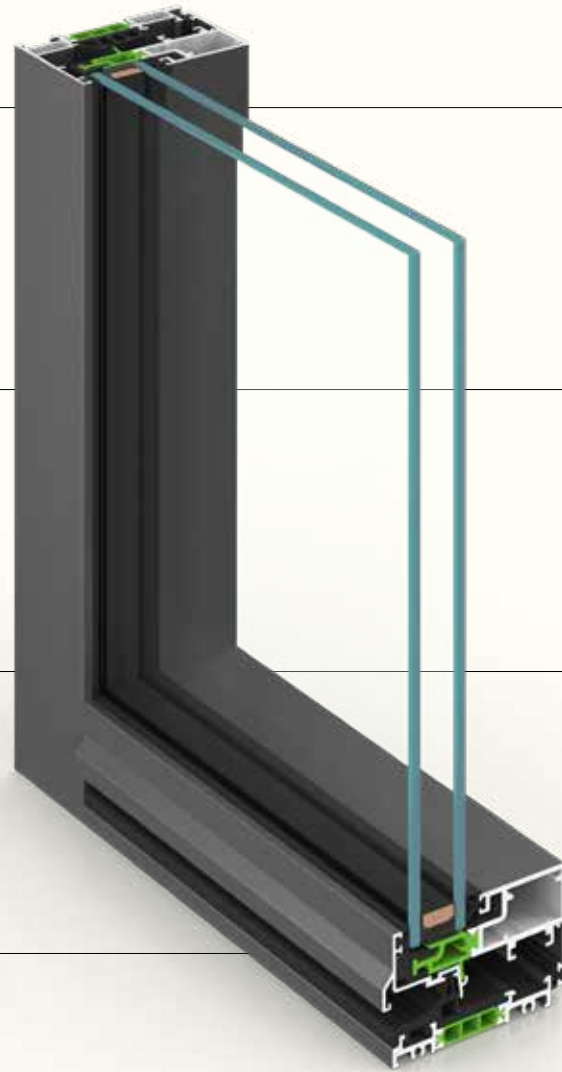
Light-Filled Living

Fixed frames allow you to create a space bursting with minimal character.



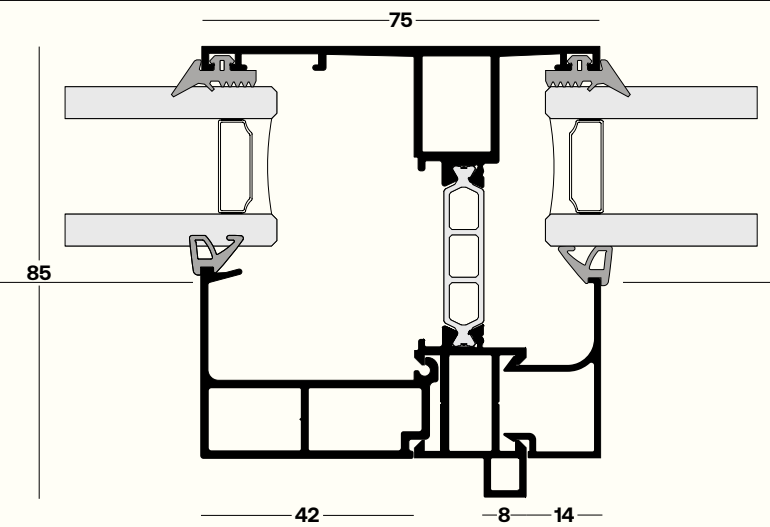
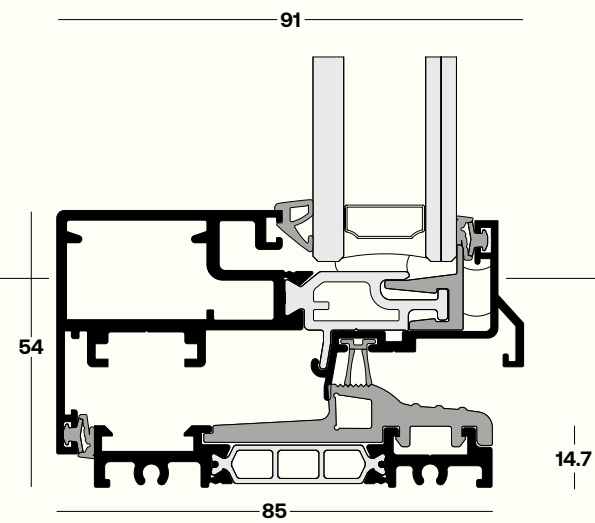
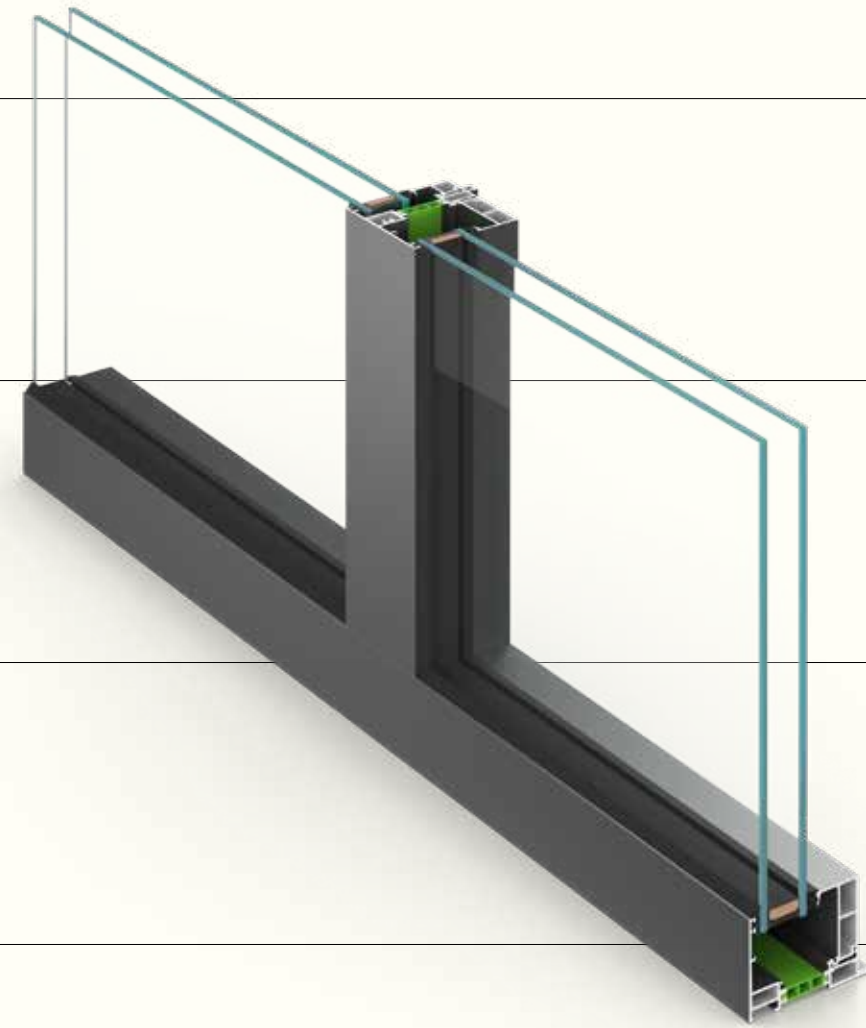
Low Threshold

The height of 14.7mm creates an easy access, making the living space very comfortable and convenient.



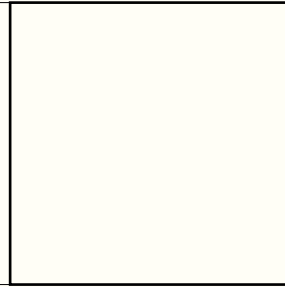
Elegant Joint

Fixed frames with less profile joints offer better aesthetic result, thereby meeting all of today's architectural requirements.

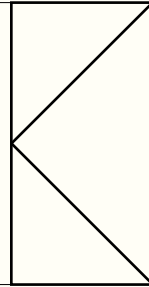




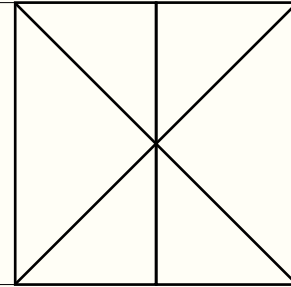
System Configurations



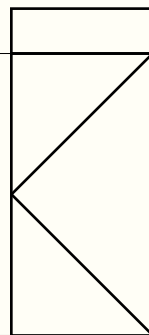
● One Fixed Light



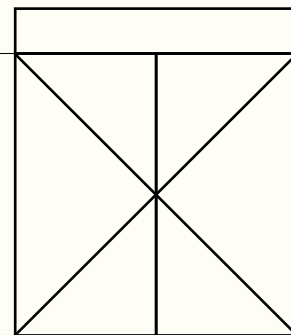
● Single Side Hung Casement or Tilt & Turn



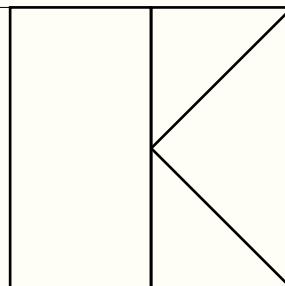
● Double Side Hung Casement or Tilt & Turn



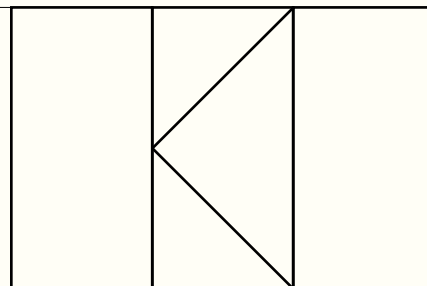
● Single Side Hung Casement or Tilt & Turn With Fixed Light



● Double Side Hung Casement or Tilt & Turn With Fixed Light



● Fixed & Single Side Hung Casement or Tilt & Turn



● Two Side Fixed & Single Central Side Hung Casement or Tilt & Turn



Technical Data

○ Category

↘ Value

- Exterior Aesthetics → Flat / minimal design with hidden sash
- Window Types → Hinged
- Frame Depth → 85 mm
- Sash Depth → 78 mm
- Minimum Visible Aluminum face Height (Frame-Sash) → 56 mm

- Minimum Visible Aluminum Face Width (Adjoining) → 78 mm
- Minimum Threshold Height → 14.7 mm
- Maximum Sash Width → 1,200 mm
- Maximum Sash Height → 2,400 mm
- Maximum Sash Weight → 150 kg

- Sealing Method → Perimetrical, 3-level with EPDM gaskets
- Hardware → Visible / Concealed hinges 180°
- Glass Type → Double / Triple
- Glass Thicknesses → From 28 mm up to 40 mm
- Type Of Thermal Insulation → Polyamides 30 mm, Insulation Foam



System Performances

○ Category

↘ Value

- Thermal → Uf values from 1.4 W/(m²K)
- Air Permeability → Class 4
- Water Tightness → Class 8A
- Wind Load Resistance → Class C2/B2
- Acoustic → 44 dB

Ø5 →

W85ST



ID ↘

The W85 ST is a SKYLINE highly insulated hinged system, which imitates the style of traditional steel windows, adding the value of superior thermal efficiency and turning the window of a house or a terrace (patio) into a New York loft. The system offers attractive slimline face widths with a high level of functionality, security, comfort, and more retro look. In combination with its excellent thermal properties, W85 ST is specially designed for refurbishing old steel windows or fitting new-build houses with elegant, retro look, windows.

Distinguished by its wide -picture frame- openings and the retro elements, the system creates an environmentally friendly living in an urban context. At the same time, it offers the ideal perspective for demanding architectural challenges.

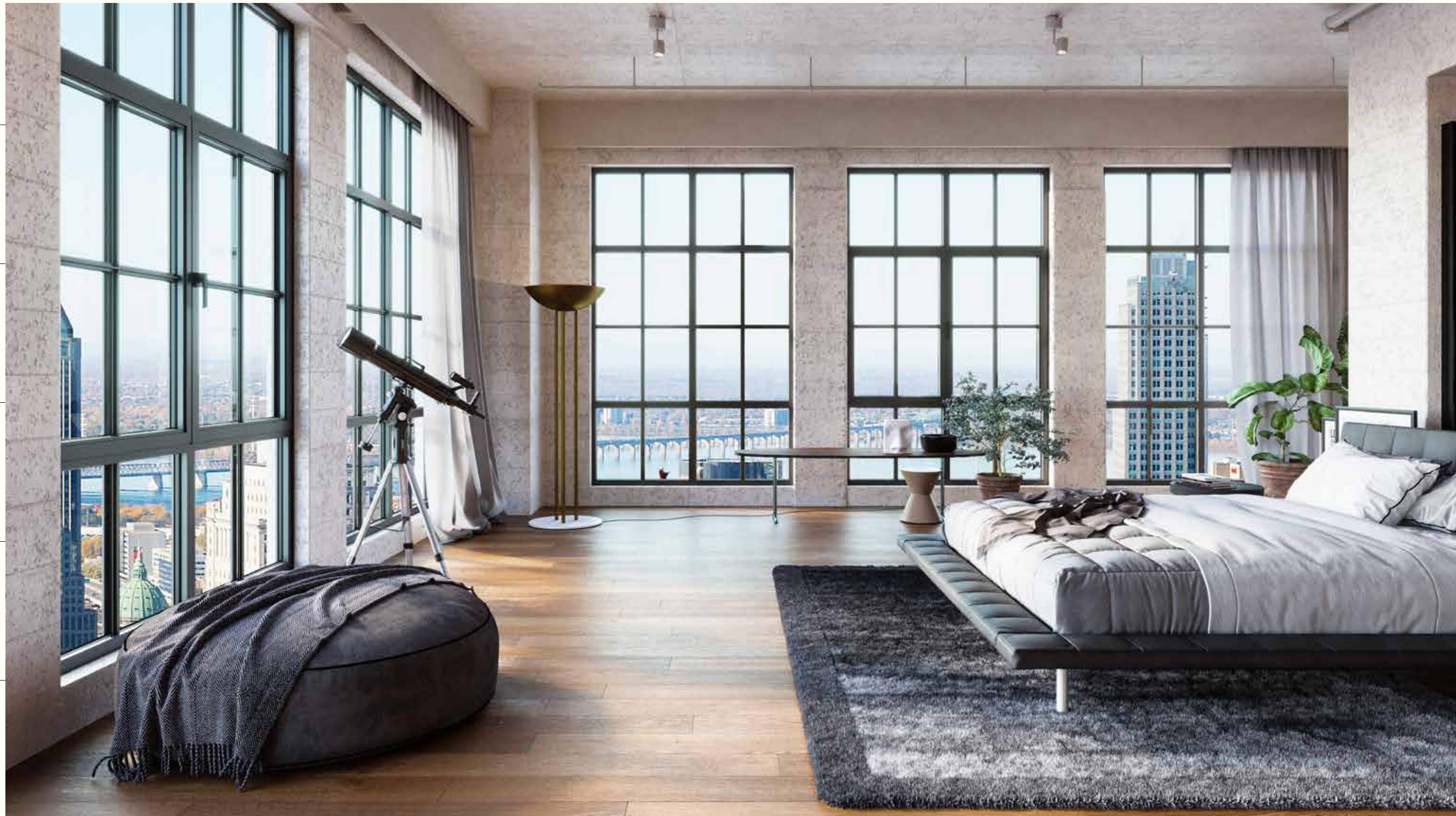
Retro Look

- Elegant retro-look design
- Perfectly match the latest trend in industrial architecture
- Maximal user comfort due to increased thermal properties
- Impressive water and air tightness
- Concealed fittings are possible
- Suitable for both double and triple glazing
- Easy access low threshold meets international requirements
- Ideally suited for refurbishing old steel windows



The perfect retro scene

The W85 ST brings the charm of another era to your space. A timeless piece that combines retro look with modern elements. The system guarantees unparalleled quality and is the landmark window of practicality and aesthetics. It covers every need for functionality and perfectly agrees with spaces that have exceptional taste. It fits in all areas, due to its simple, clean lines.



Elegance and comfort

The W85 ST has a clean, timeless look. It perfectly captures the philosophy of industrial design whilst is designed with an emphasis on functionality and greater comfort. In typically SKYLINE approach, everything that contributes to comfort has been carefully considered and rethought. By using a low-level threshold of only 20mm, maximum comfort for people of all ages is offered. Secure and comfortable operation is achieved thanks to high-quality components. Visible or concealed hinges for safe and long-lasting function are reliable options and meet today's requirements in modern architecture.



Exploring industrial aesthetics

Admired by the symmetrical design and classic proportions, the W85 ST windows enhance and adherence even more to industrial style rules with the use of Georgian bars, dividing the frame horizontally and vertically lines, fully aligned with the trends of modern architecture.



Unconditional performance

Four core themes are used to create the perfect living environment: increased thermal insulation values and sound reduction, excellent weather performance in terms of air tightness and watertightness, enhanced security, and ease of access. This extremely elegant system uniquely frames your living space and assures the best performances ever.



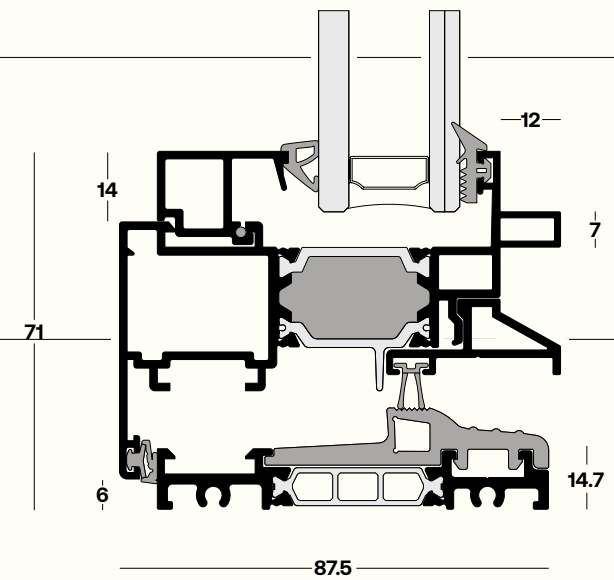
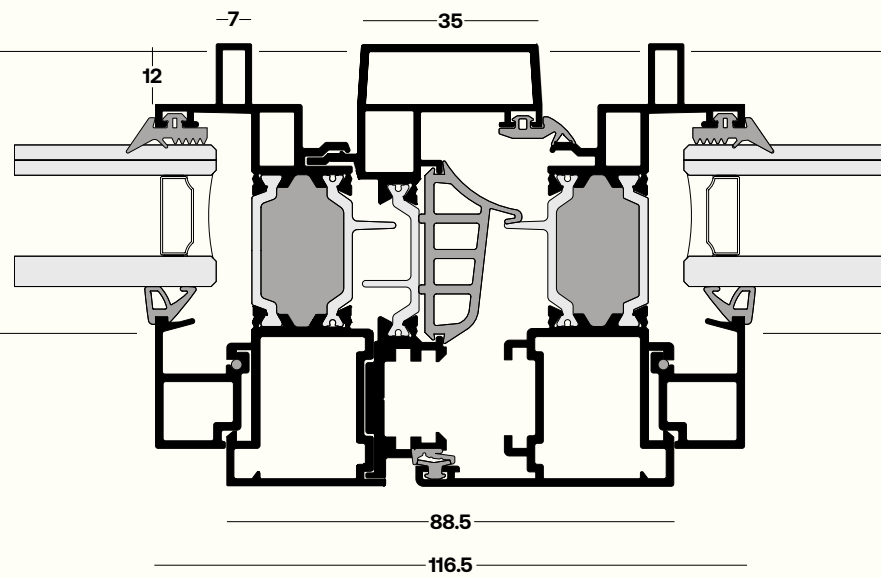
TC

Elegant Join

Reduced appearance with maximum functionality at the adjoining profile of 116.5mm width

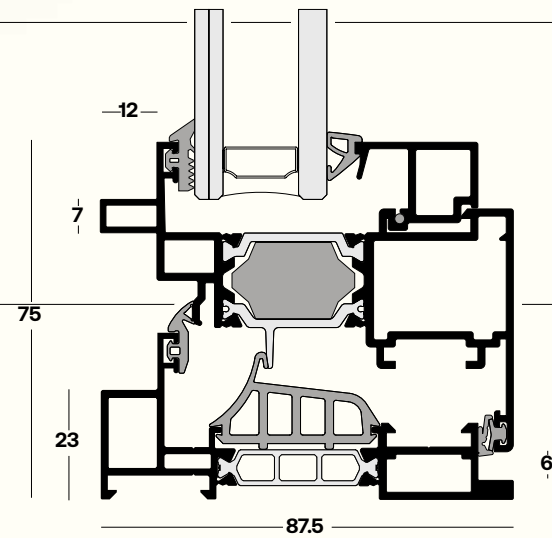
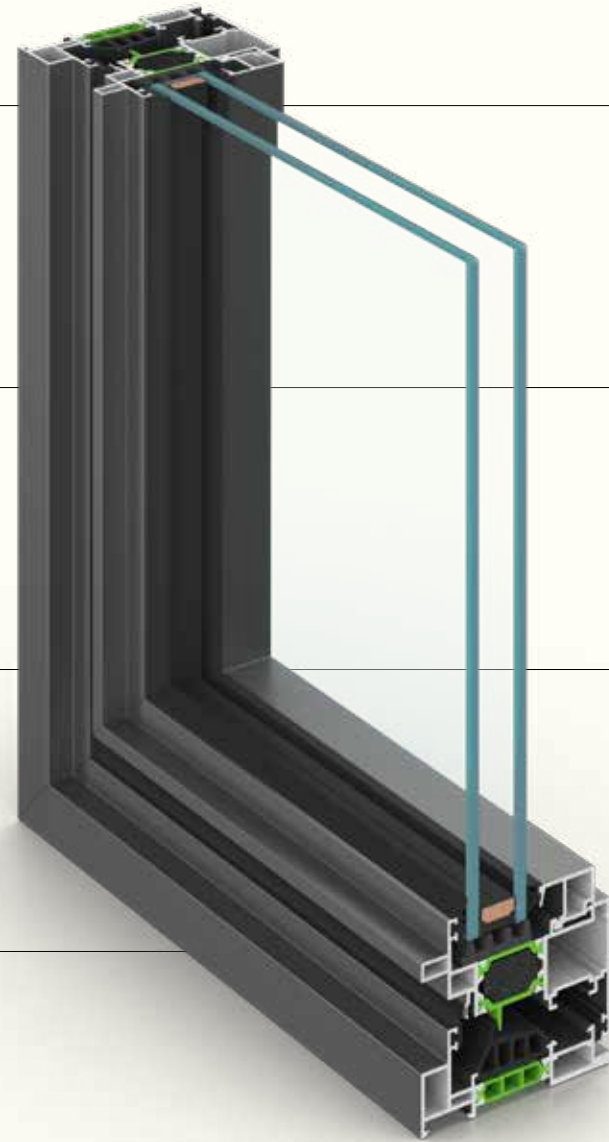
Low Threshold

The height of 14.7mm creates an easy access, making the living space very comfortable and convenient.



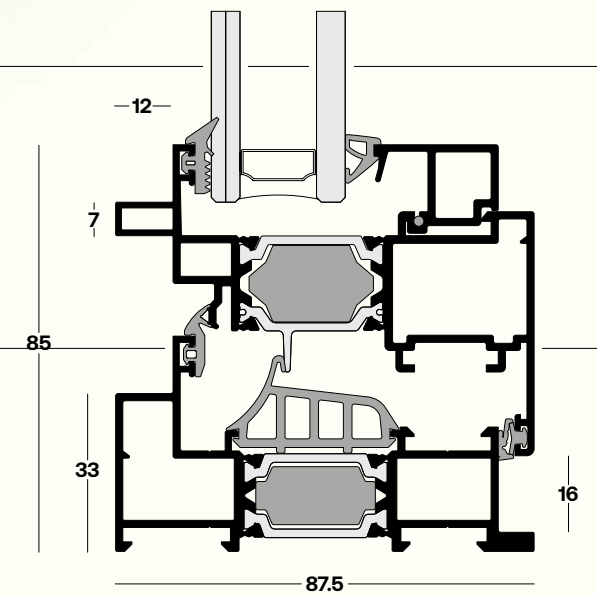
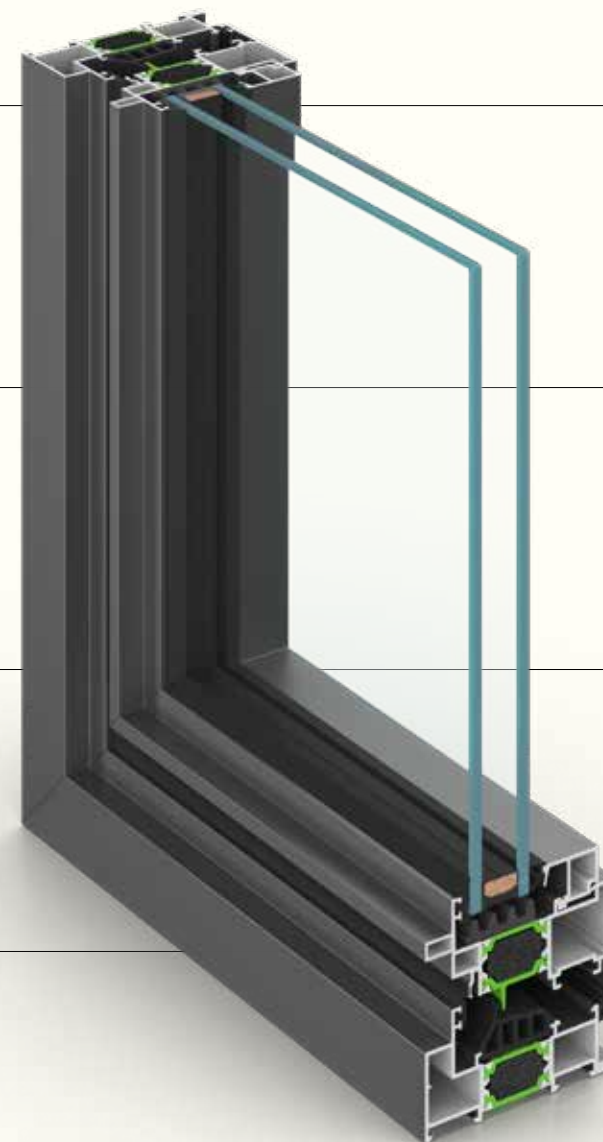
Low Frame

The lowered frame ensures maximum transparency due to the reduced internal and external face widths. using only concealed hinges for clean lines and borderless view.



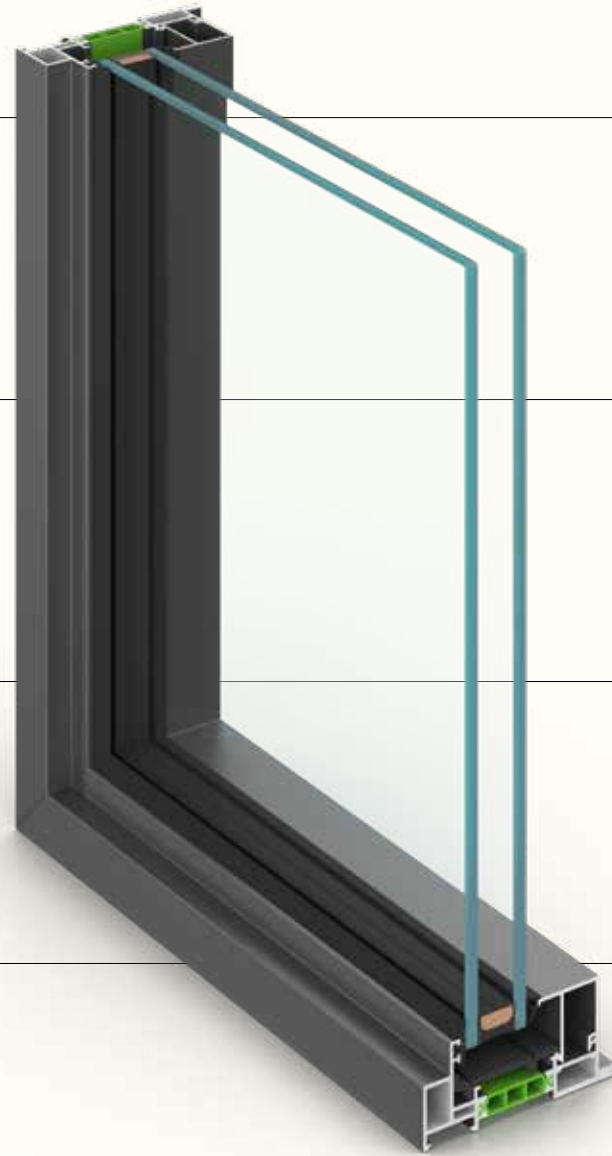
Standard Frame

The standard frame provides a high level of stability and durability for robust structures of large-scale windows with optimum thermal insulation.



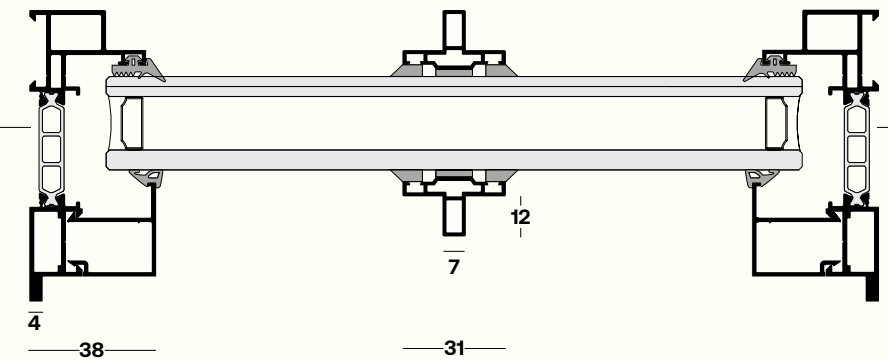
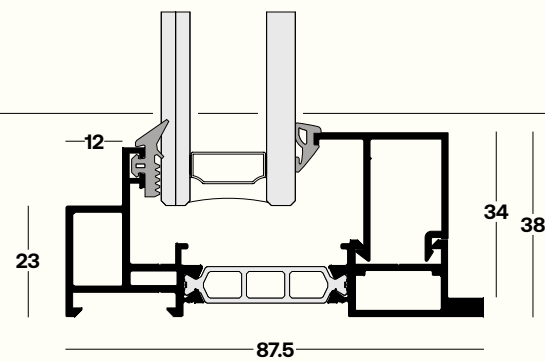
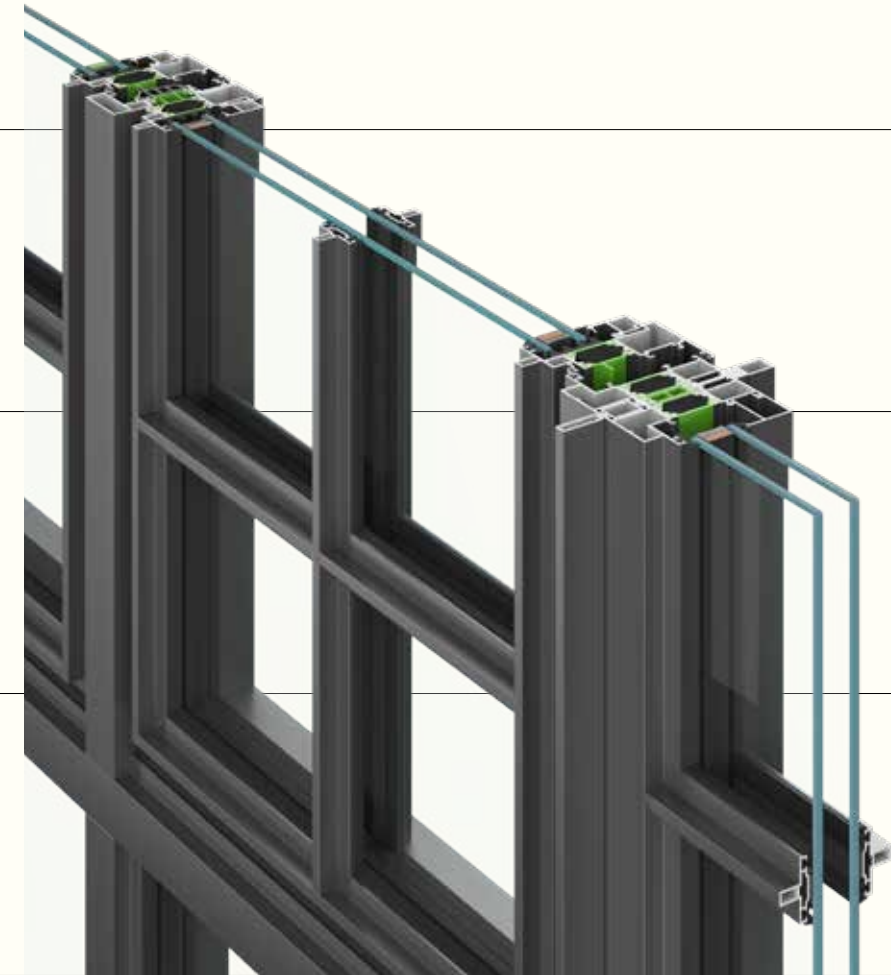
Fixed Frame

Fixed frames allow you to create a space bursting with industrial character.



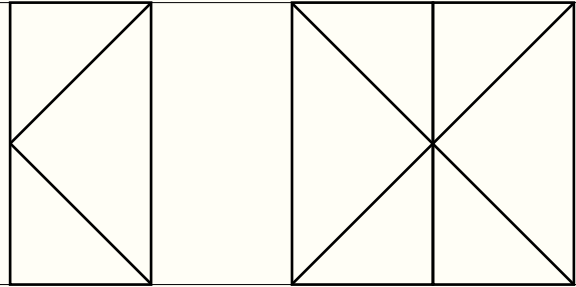
Georgian Bars

Fixed and opening frames with Georgian bars, used in windows to make them look like traditional Georgian-style windows.

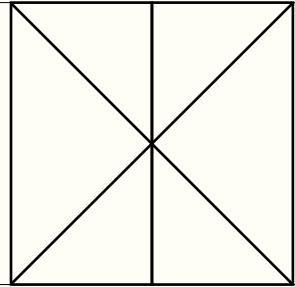




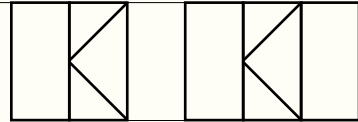
System Configurations



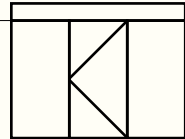
● Single Side Hung Casement or Tilt & Turn



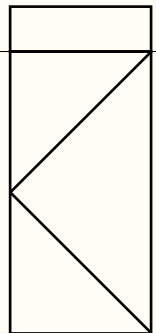
● Double Side Hung Casement or Tilt & Turn



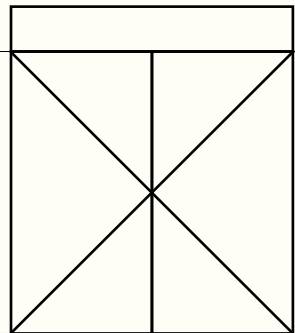
● Fixed & Single Side Hung Casement or Tilt & Turn
● Two Side Fixed & Single Central Side Hung Casement or Tilt & Turn



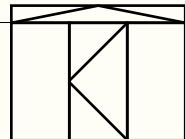
● Two Side Fixed & Single Central Side Hung Casement or Tilt & Turn With Fixed Light



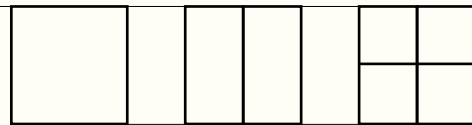
● Single Side Hung Casement or Tilt & Turn With Fixed Light



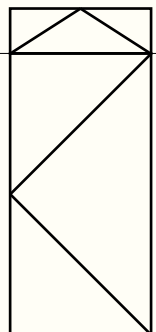
● Double Side Hung Casement or Tilt & Turn With Fixed Light



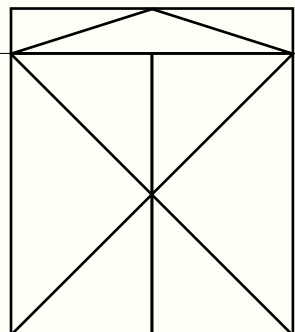
● Two Side Fixed & Single Central Side Hung Casement or Tilt & Turn With Fixed Light With Bottom Hung Light



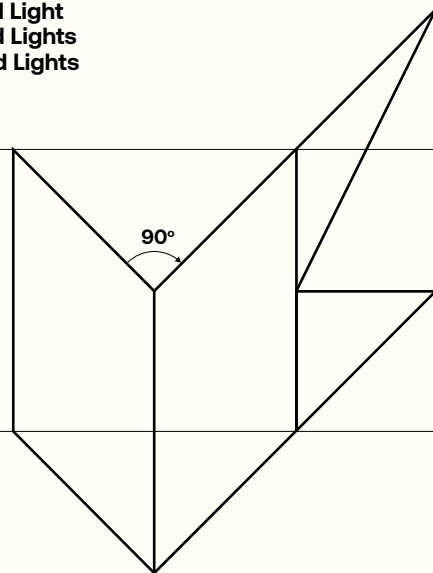
● One Fixed Light
● Two Fixed Lights
● Four Fixed Lights



● Single Side Hung Casement or Tilt & Turn With Bottom Hung Light



● Double Side Hung Casement or Tilt & Turn With Bottom Hung Light



● Corner With Side Hung Casement or Tilt & Turn



Technical Data

○ Category

↘ Value

- Exterior Aesthetics → Flat / Slender Retro look
- Window Types → Hinged
- Frame Depth → 87.5 mm
- Sash Depth → 87.5 mm
- Minimum Visible Aluminum Face Height (Frame-Sash) → 75 mm

- Minimum Visible Aluminum Face Width (Adjoining) → 116.5 mm
- Minimum Threshold Height → 14.7 mm
- Maximum Sash Width → 1,200 mm
- Maximum Sash Height → 2,400 mm
- Maximum Sash Weight → 150 kg

- Sealing Method → Perimetrical, 3-level with EPDM gaskets
- Hardware → Visible / Concealed hinges 180°
- Glass Type → Double / Triple
- Glass Thicknesses → From 23.5 mm up to 54 mm
- Type Of Thermal Insulation → Polyamides 30 mm, Insulation Foam



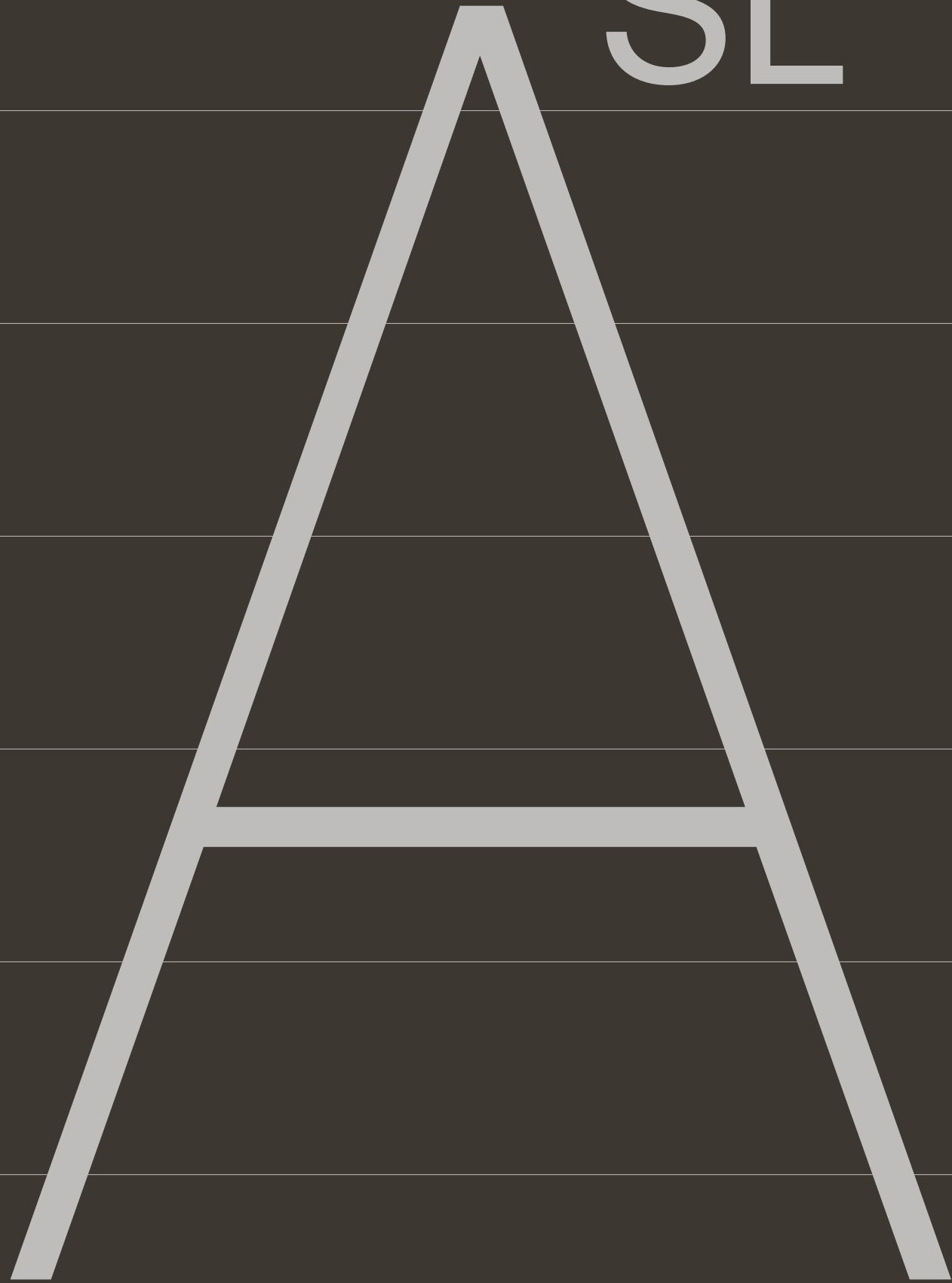
System Performances

○ Category

↘ Value

- Thermal → Uf values from 1.4 W/(m²K)
- Air Permeability → Class 4
- Water Tightness → Class 9A
- Wind Load Resistance → Class C2/B2
- Acoustic → 43 dB

SL



Aluminco Skyline

The Catalogue

©2022 Aluminco S.A

Material Organization & Coordination
Aluminco S.A

Art Direction & Curation
Design Ambassador

Creative Direction & Design
Post-Spectacular Office

Renders
Helix Imageworks

Printing
Future Format

Cover Stock & Internal Page Stock
Munken Print Cream 300gsm
Munken Print Cream 115gsm
Eco Woodstock / Nero 140gsm

Font
Aeonik Pro / Cotype Foundry

Discover more about the
new premium system series
at skylinesystems.gr

Premium Systems

Contemporary aesthetics and architectural needs inspired the new premium system series SKYLINE by Aluminco. As a result of 40 years of experience and state-of-the-art research and development in aluminum systems, SKYLINE combines safety and high energy efficiency with timeless minimalism and discreet luxury. Aluminco SKYLINE includes superior features that offer more than 200 possible combinations, thus serving as a powerful tool in the hands of architects, designers, engineers and construction perfectionists.

SL55



The
Infinity

CW35



Style
Setter

SL27⁰⁰



Great
Wide

W85^{HS}



View
Master

W85ST



Retro
Look