

W85ST

ID

The W85ST is a SKYLINE highly insulated hinged system, which imitates the style of traditional steel windows, adding the value of superior thermal efficiency and turning the window of a house or a terrace (patio) into a New York loft.

Retro Look

- Elegant retro-look design
- Perfectly match the latest trend in industrial architecture
- Maximal user comfort due to increased thermal properties
- Impressive water and air tightness
- Concealed fittings are possible
- Suitable for both double and triple glazing
- Easy access low threshold meets international requirements
- Ideally suited for refurbishing old steel windows

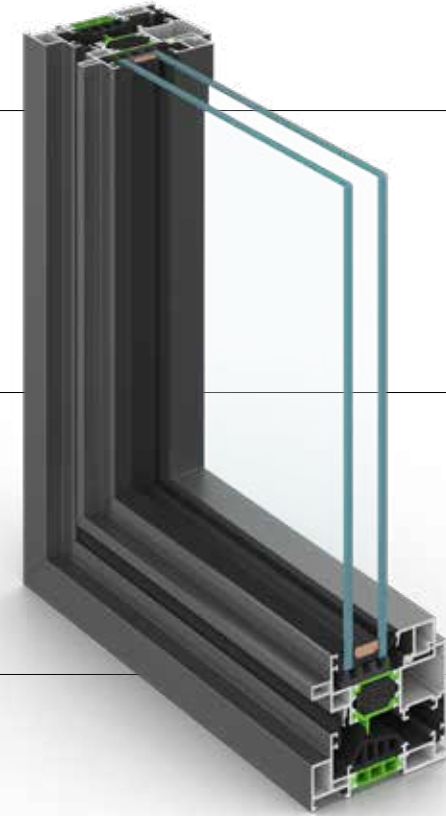
The system offers attractive slimline face widths with a high level of functionality, security, comfort, and more retro look.

TC

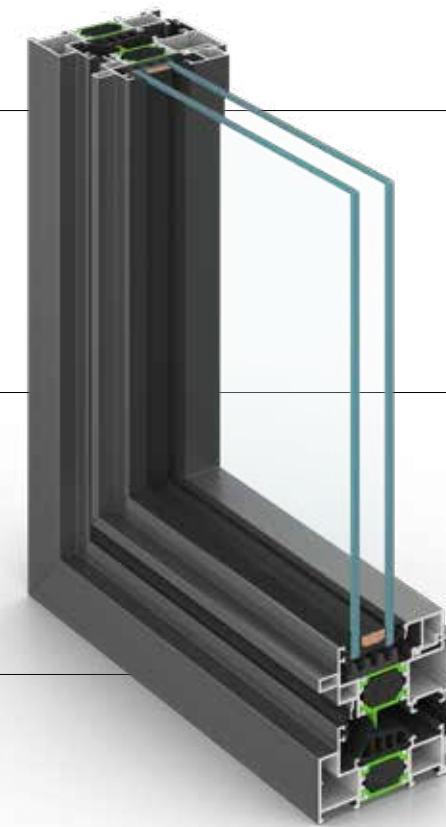
Low Threshold



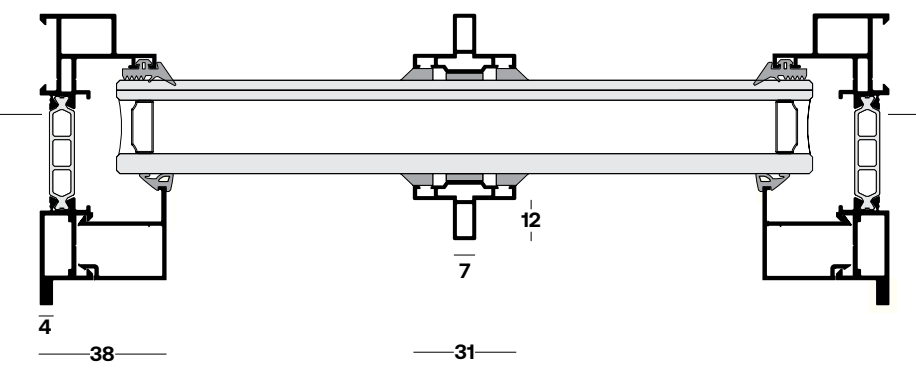
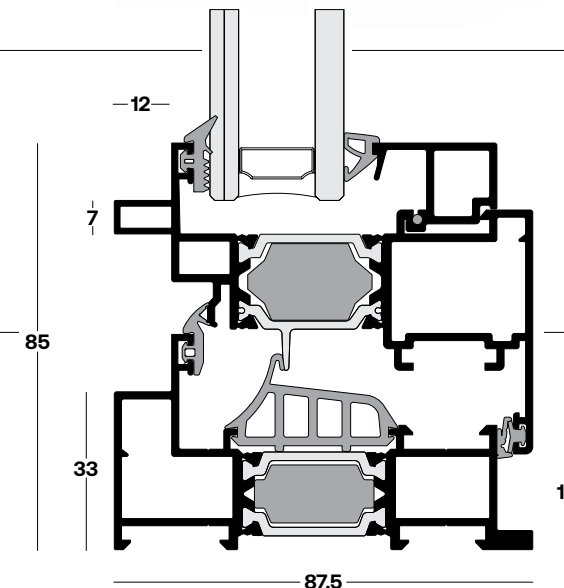
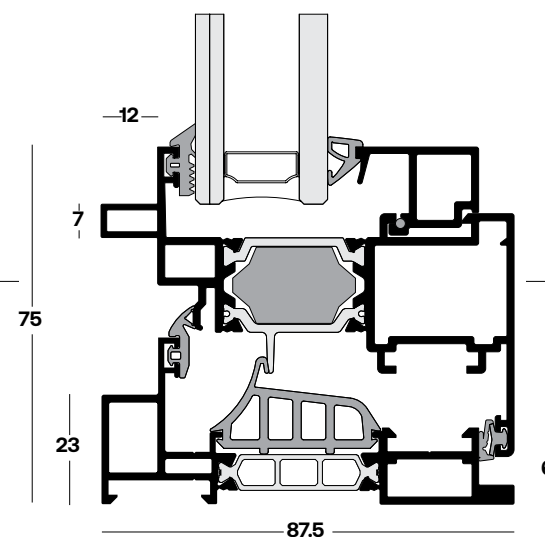
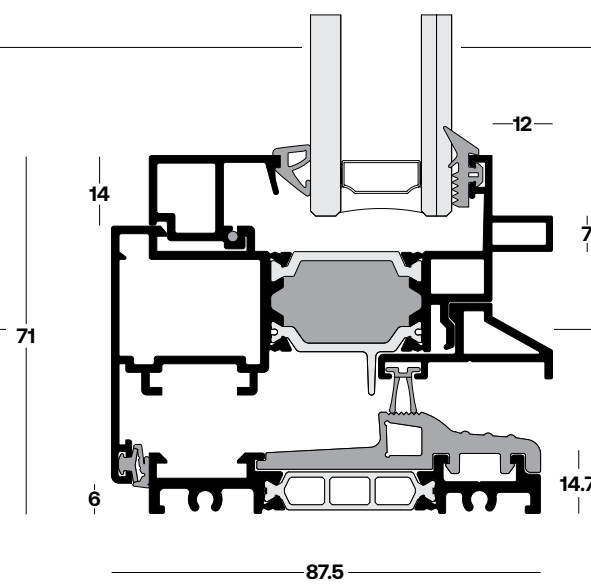
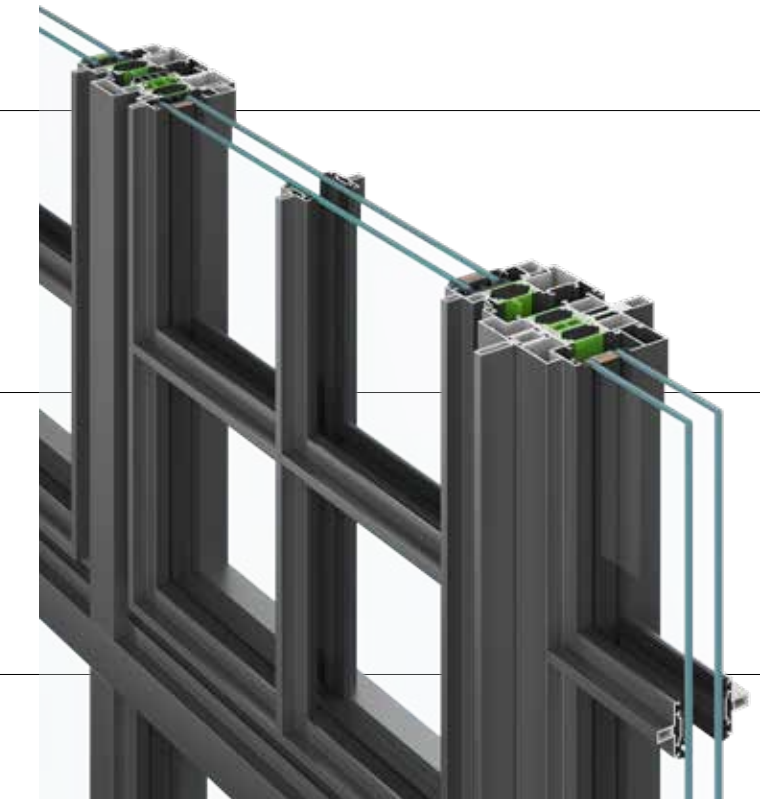
Low Frame



Standard Frame



Georgian Bars

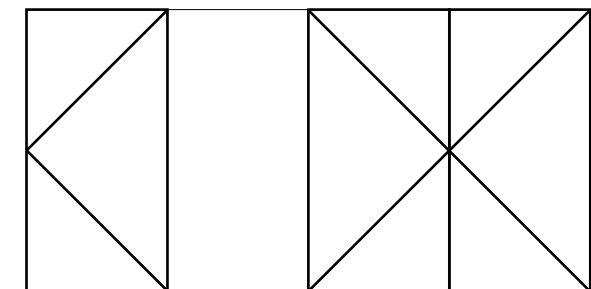




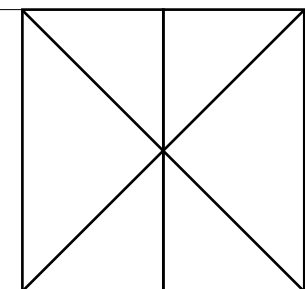
System Configurations



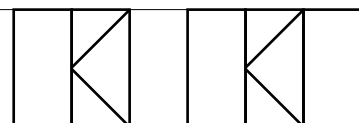
Technical Data



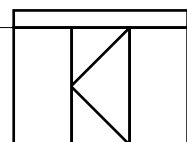
● Single Side Hung Casement or Tilt & Turn



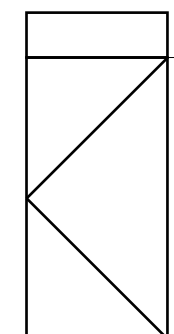
● Double Side Hung Casement or Tilt & Turn



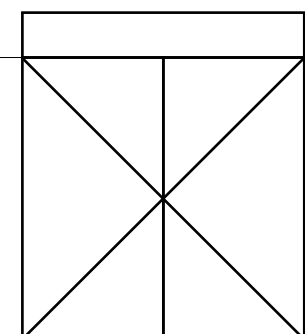
● Fixed & Single Side Hung Casement or Tilt & Turn
● Two Side Fixed & Single Central Side Hung Casement or Tilt & Turn



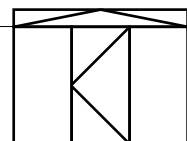
● Two Side Fixed & Single Central Side Hung Casement or Tilt & Turn With Fixed Light



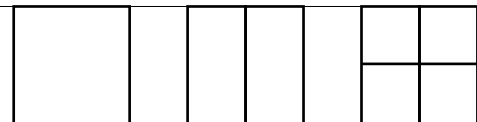
● Single Side Hung Casement or Tilt & Turn With Fixed Light



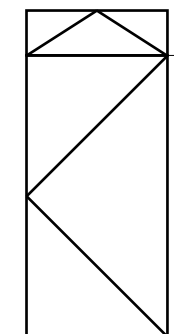
● Double Side Hung Casement or Tilt & Turn With Fixed Light



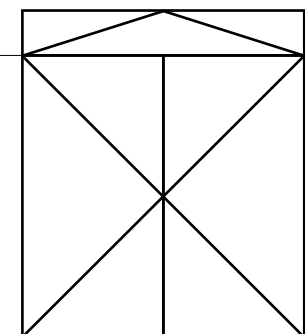
● Two Side Fixed & Single Central Side Hung Casement or Tilt & Turn With Fixed Light With Bottom Hung Light



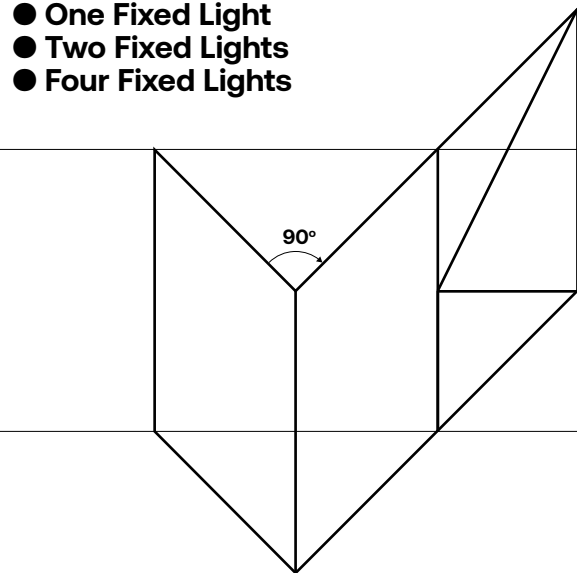
● One Fixed Light
● Two Fixed Lights
● Four Fixed Lights



● Single Side Hung Casement or Tilt & Turn With Bottom Hung Light



● Double Side Hung Casement or Tilt & Turn With Bottom Hung Light



● Corner With Side Hung Casement or Tilt & Turn



System Performances

○ Category

▾ Value

- Thermal
- Air Permeability
- Water Tightness
- Wind Load Resistance
- Acoustic

- Uf values from 1.4 W/(m²K)
- Class 4
- Class 9A
- Class C2/B2
- 43 dB

○ Category

▾ Value

- Exterior Aesthetics
- Window Types
- Frame Depth
- Sash Depth
- Minimum Visible Aluminum Face Height

- Flat / Slender Retro look
- Hinged
- 87.5 mm
- 87.5 mm
- 75 mm

- Minimum Visible Aluminum Face Width (Adjoining)

→ 116.5 mm

- Minimum Threshold Height
- Maximum Sash Width
- Maximum Sash Height

- 14.7 mm
- 1,200 mm
- 2,400 mm

- Maximum Sash Weight
- Sealing Method
- Hardware
- Glass Type
- Glass Thicknesses

- 150 kg
- Perimetrical, 3-level with EPDM gaskets
- Visible / Concealed hinges 180°
- Double / Triple
- From 23.5 mm up to 54 mm

- Type Of Thermal Insulation

→ Polyamides 30 mm, Insulation Foam

